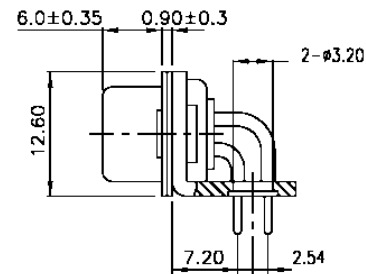
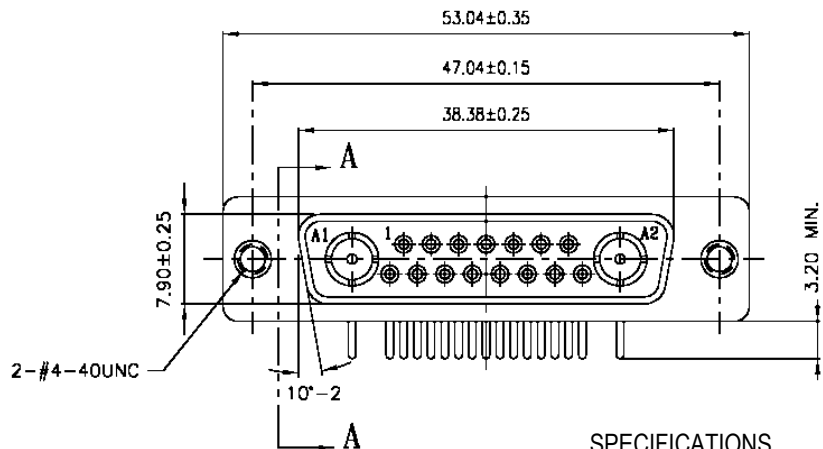
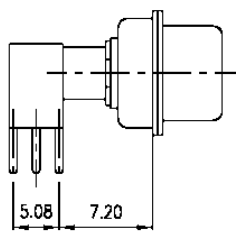
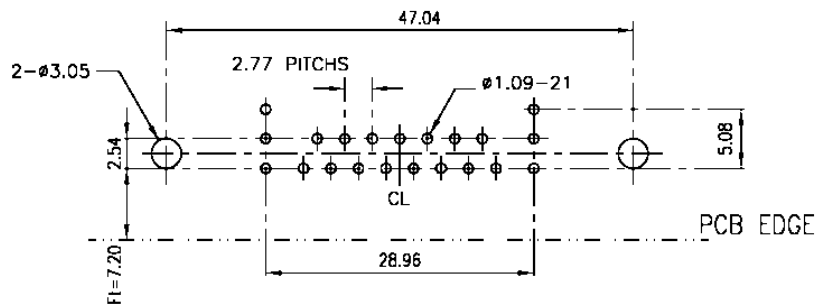


SECTION A-A



PCB LAYOUT




SPECIFICATIONS

- Current rating: 5 amps
- Pin material (coax): Brass
- Pin plating (coax): Gold
- Pin material (D-sub): Brass
- Pin plating (D-sub): Gold
- Contact resistance: 15 milliohms max.
- Insulator material (D-sub): PBT + 30% glass fiber, UL94V-0
- Insulator resistance: 1,000 megohms min.
- Insulator material (coax): Teflon, white
- Shell material: Steel
- Shell plating: Tin or zinc
- Bracket material: Steel
- Bracket plating: Nickel
- Rivet material: Brass
- Rivet plating: Nickel
- Withstanding: 500VAC for 1 min.
- Operating temperature: -50°C to +100°C

RoHS compliant

Rev.	Description	Date	Approved	Drawing	Name	Date
				Approved	Howard	09/27/05
				Checked	Lizzy	09/27/05
				Drawn	Tina	09/27/05
				0.0 ± 0.35	0.00 ± 0.20	Angles ± 3'
				UNIT: mm		



Central Components Manufacturing
440 Lincoln Blvd., Middlesex, New Jersey 08846
Phone 732 469-5720 888 288-5152 Fax 732 469-1919

Part No.: **DS17C2-FR1-S**

Description: D-sub/coaxial connector, 7.2mm footprint, right angle PCB mount with bracket