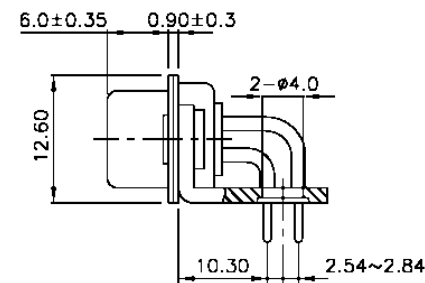
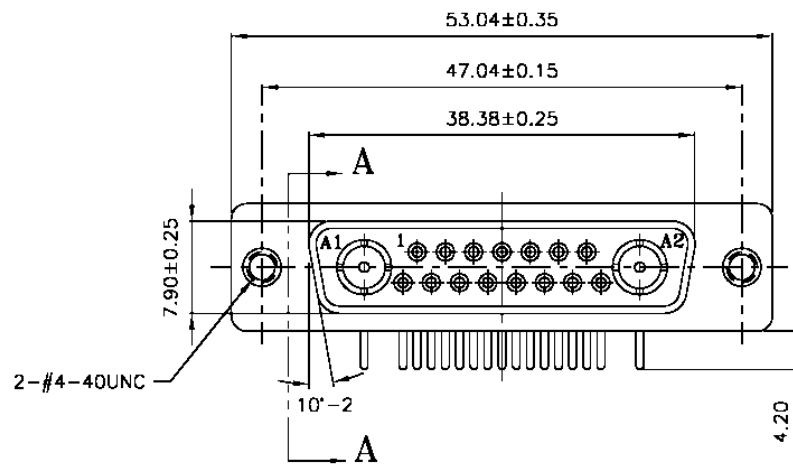
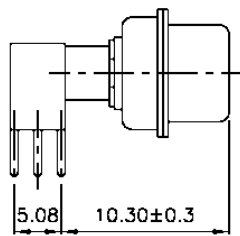
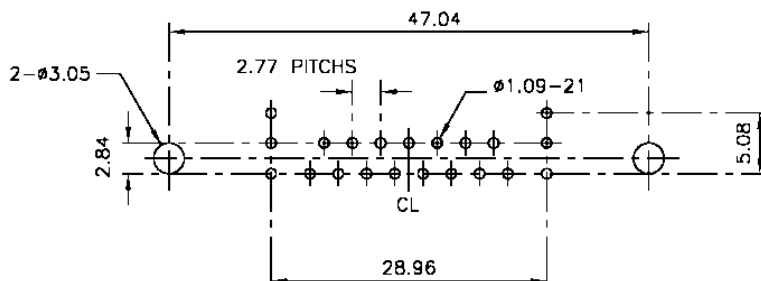


SECTION A-A



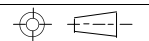
PCB LAYOUT




SPECIFICATIONS

Current rating:	5 amps
Voltage rating:	500VAC
Pin material:	Brass
Pin plating:	Gold flash
Contact resistance:	1,000 milliohms max.
Shell material:	Steel
Insulator material:	PBT with 30% glass fiber, UL94V-0, Teflon
Bracket material:	Steel
Bracket plating:	Nickel
Rivet material:	Brass
Rivet plating:	Nickel
Coaxial resistance:	75 ohms
Operating temperature:	-50°C to 100°C

RoHS compliant

Rev.	Description	Date	Approved	Drawing	Name	Date
				Approved	Howard	08/10/99
				Checked	Lizzy	08/10/99
				Drawn	Tina	08/10/99
				0.0 ± 0.35	0.00 ± 0.20	Angles ± 3'
				 UNIT: mm		



Central Components Manufacturing
440 Lincoln Blvd., Middlesex, New Jersey 08846
Phone 732 469-5720 888 288-5152 Fax 732 469-1919

Part No.: DS17C2-FR-S

Description: D-sub coaxial connector, right angle PCB mount with bracket

