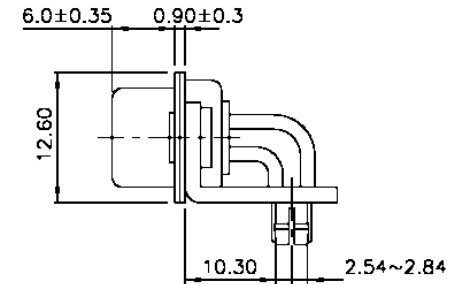
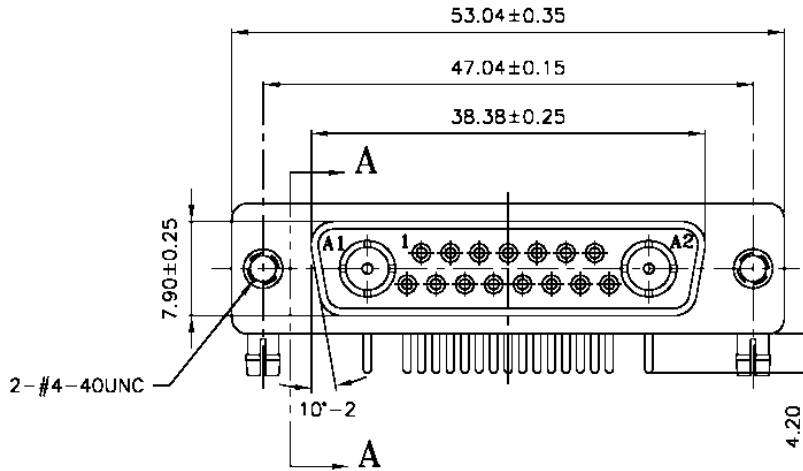
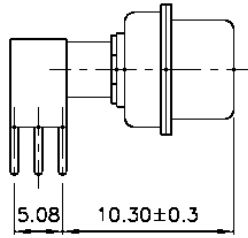
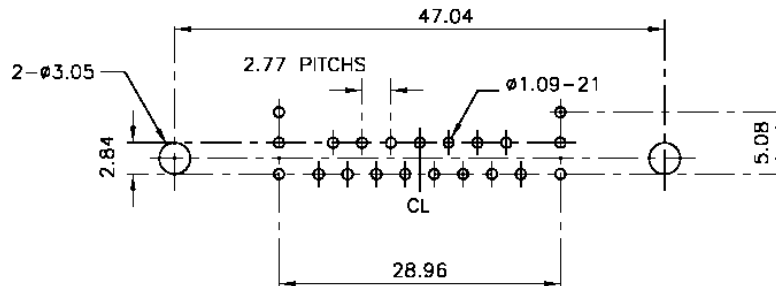


SECTION A-A



PCB LAYOUT



SPECIFICATIONS

- Current rating: 5 amps
- Voltage rating: 500VAC
- Pin material: Brass
- Pin plating: Gold flash
- Contact resistance: 1,000 milliohms max.
- Shell material: Steel
- Insulator material: PBT with 30% glass fiber, UL94V-0, Teflon
- Bracket material: Steel
- Bracket plating: Nickel
- Rivet material: Brass
- Rivet plating: Nickel
- Coaxial resistance: 75 ohms
- Operating temp.: -50°C to +100°C

RoHS compliant

Rev.	Description	Date	Approved	Drawing	Name	Date
				Approved	Howard	08/10/99
				Checked	Lizzy	08/10/99
				Drawn	Tina	08/10/99
				0.0 ± 0.35	0.00 ± 0.20	Angles ± 3'
				UNIT: mm		

Central Components Manufacturing
 440 Lincoln Blvd., Middlesex, New Jersey 08846
 Phone 732 469-5720 888 288-5152 Fax 732 469-1919

Part No.: **DS17C2-FR-S-BL**

Description: D-sub coaxial connector, right angle PCB mount with bracket and board locks