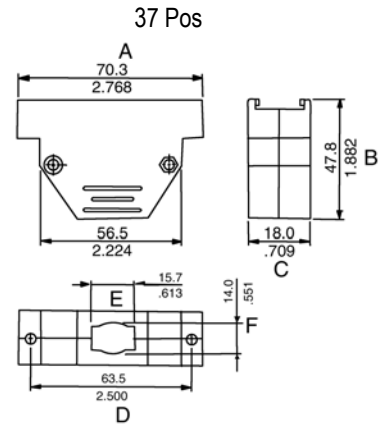
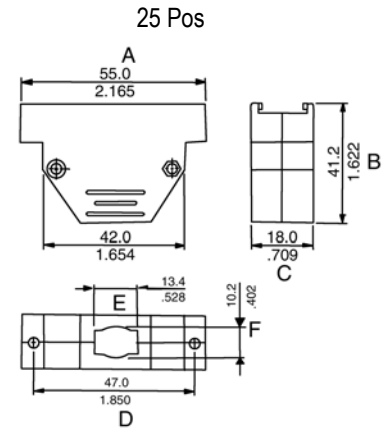
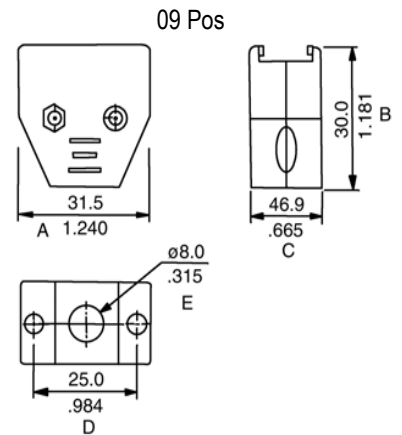
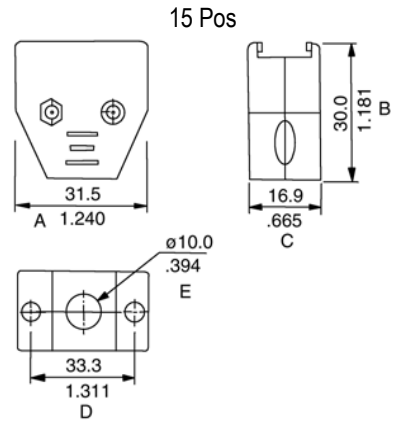
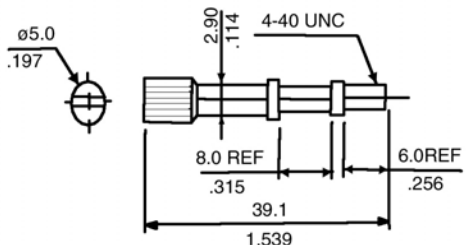


Dimensions (mm)						
Positions	A	B	C	D	E	F
09	31.5	30.0	46.9	25.0	8.0	
15	31.5	30.0	16.9	33.3	10.0	
25	55.0	41.2	18.0	47.0	13.4	10.2
37	70.3	47.8	18.0	63.5	15.7	14.0



Series	Material	Style	Screw
DBSXX	XX	105	TS
D-Sub Backshell XX=09,15,25,37	PG=Plastic Gray PN=Plastic, Nickel Plated	Style 105	TS=Metal Thumb Screw

RoHS compliant

Rev.	Description	Date	Approved	Drawing	Name	Date
				Approved	Howard	09/30/03
				Checked	Lizzy	09/30/03
				Drawn	Tina	09/30/03
				0.0 ± 0.35	0.00 ± 0.20	Angles ± 3'
				UNIT: mm		

Central Components Manufacturing
 440 Lincoln Blvd., Middlesex, New Jersey 08846
 Phone 732 469-5720 888 288-5152 Fax 732 469-1919

Part No.: **DBSXX-XX-105-TS**

Description: D-sub backshell