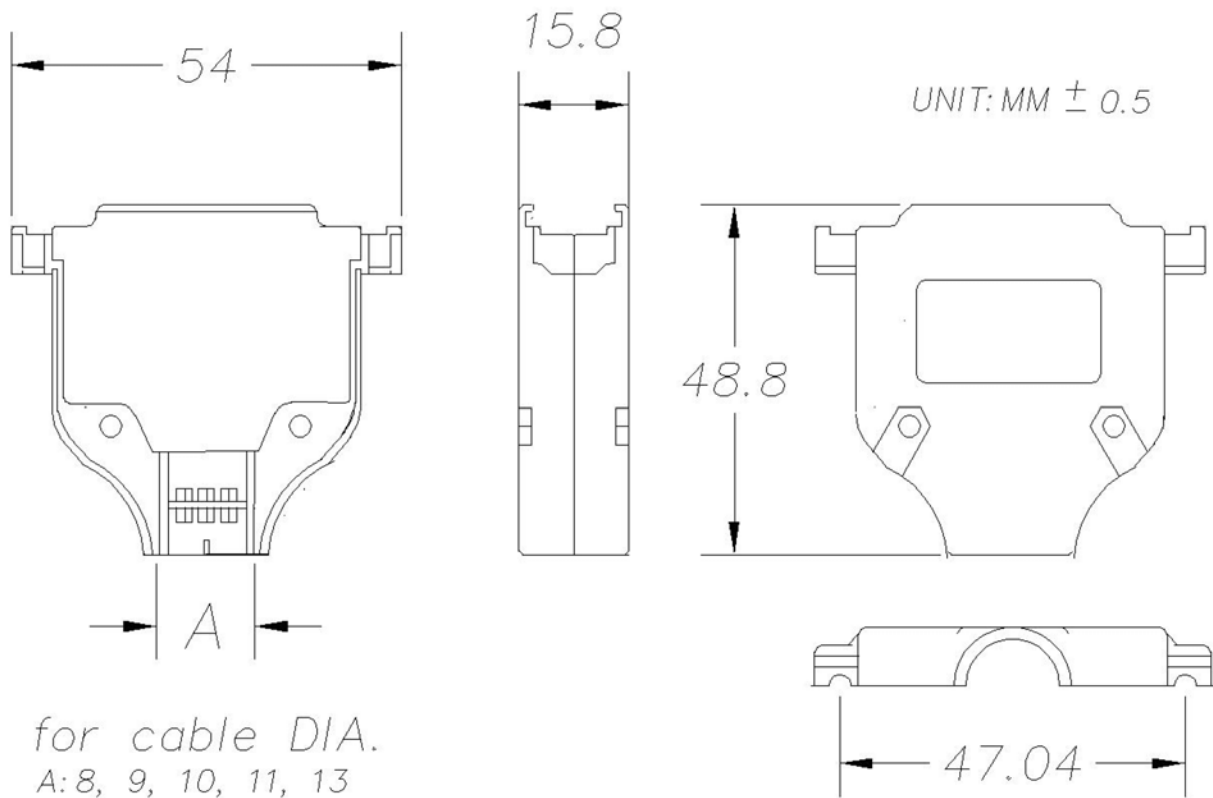
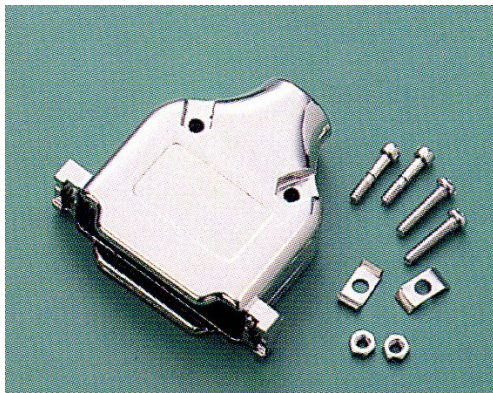


SPECIFICATIONS

Material: Zinc Alloy
 Finish: Ni Plated



Series	Type	Hood	Hardware
DBS25	DA	ZN	XX
25 Pos. back shell	Type DA	ZN=NI plated Zinc	SS=Standard Screw TS=Metal Thumb Screw

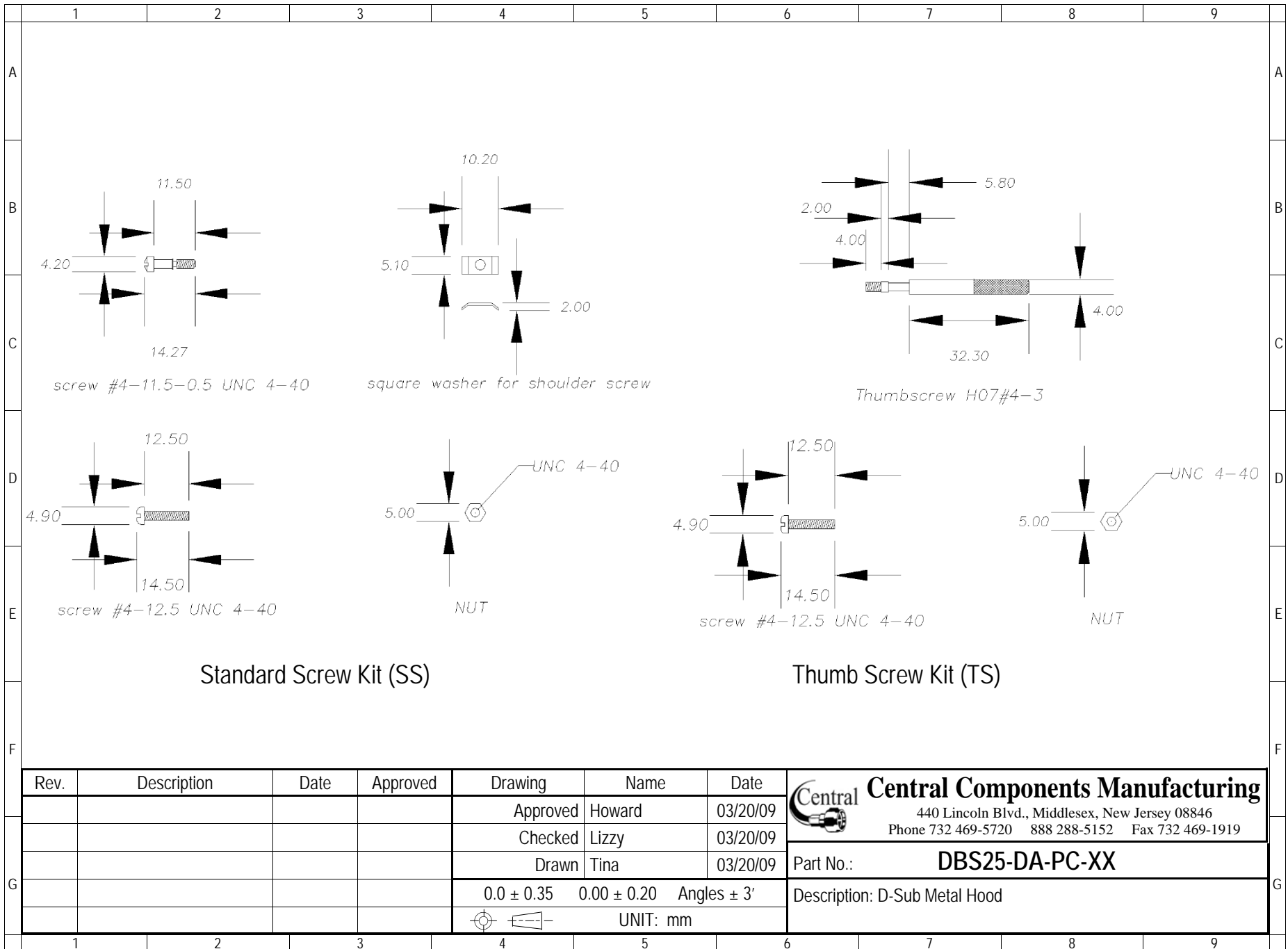
RoHS compliant

Rev.	Description	Date	Approved	Drawing	Name	Date
				Approved	Howard	03/20/09
				Checked	Lizzy	03/20/09
				Drawn	Tina	03/20/09
				0.0 ± 0.35	0.00 ± 0.20	Angles ± 3'
				UNIT: mm		

Central Components Manufacturing
 440 Lincoln Blvd., Middlesex, New Jersey 08846
 Phone 732 469-5720 888 288-5152 Fax 732 469-1919

Part No.: **DBS25-DA-PC-XX**

Description: D-Sub Metal Hood



Standard Screw Kit (SS)

Thumb Screw Kit (TS)

Rev.	Description	Date	Approved	Drawing	Name	Date
				Approved	Howard	03/20/09
				Checked	Lizzy	03/20/09
				Drawn	Tina	03/20/09
				0.0 ± 0.35	0.00 ± 0.20	Angles ± 3'
						UNIT: mm
Central Components Manufacturing 440 Lincoln Blvd., Middlesex, New Jersey 08846 Phone 732 469-5720 888 288-5152 Fax 732 469-1919						Part No.: DBS25-DA-PC-XX
Description: D-Sub Metal Hood						