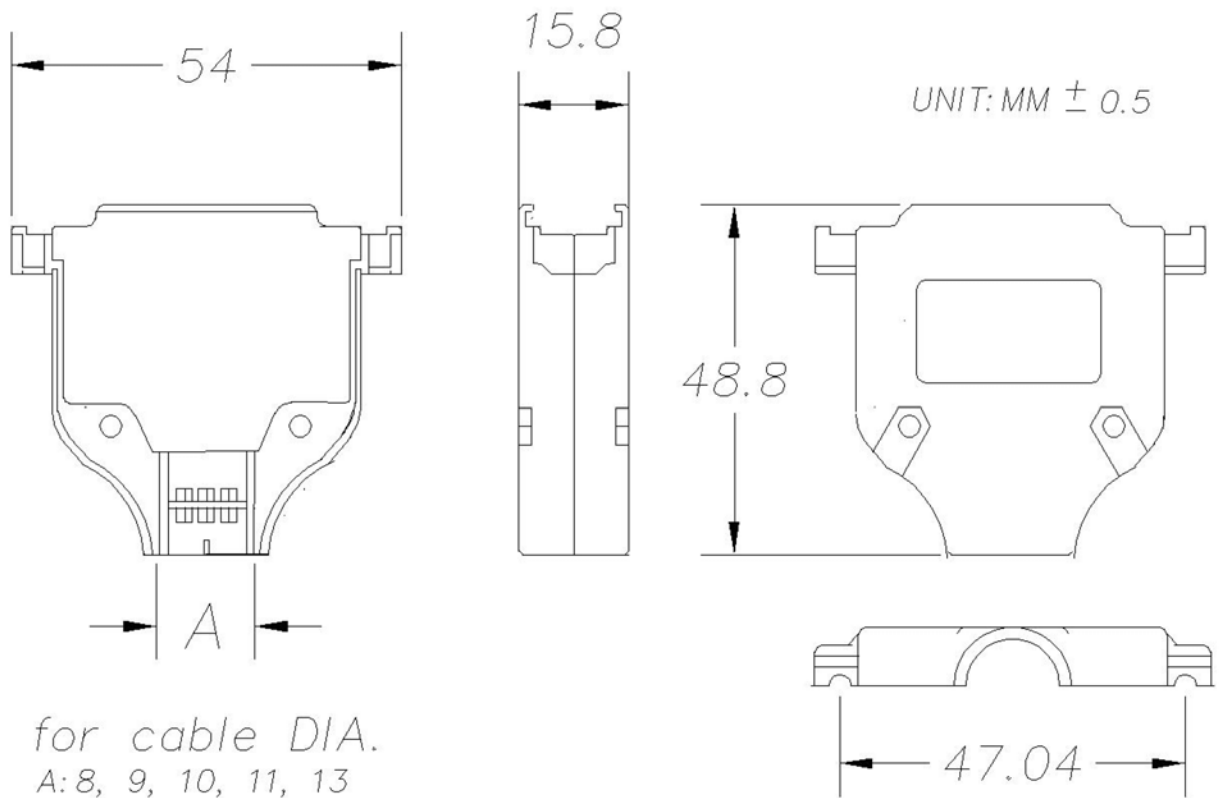
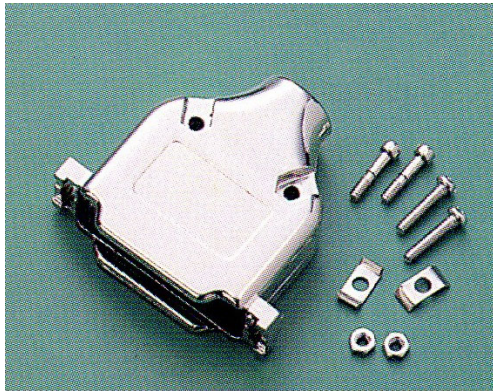


SPECIFICATIONS

Material: Zinc Alloy
 Finish: Ni Plated



Series	Type	Hood	Hardware
DBS25	DV	PC	XX
25 Pos. back shell	Type DV	PC=Metalized Plastic	SS=Standard Screw TS=Metal Thumb Screw

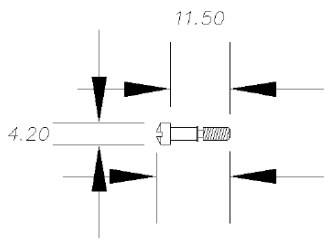
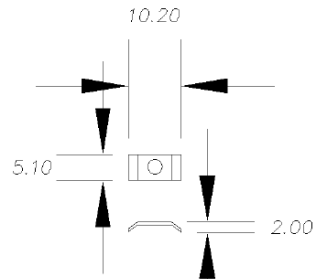
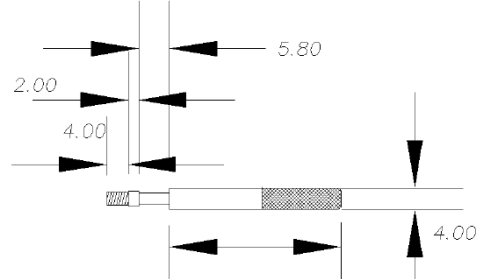
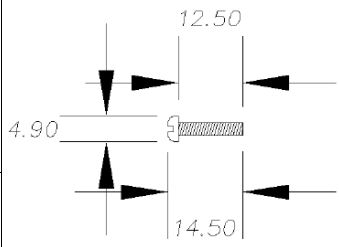
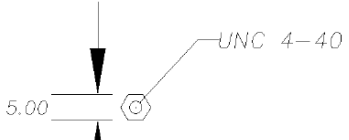
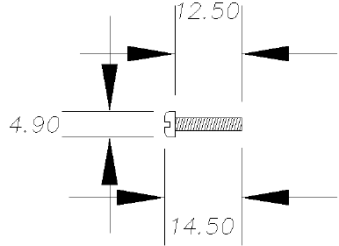
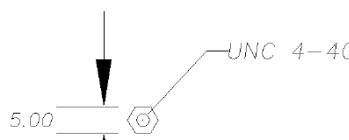

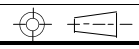
RoHS compliant

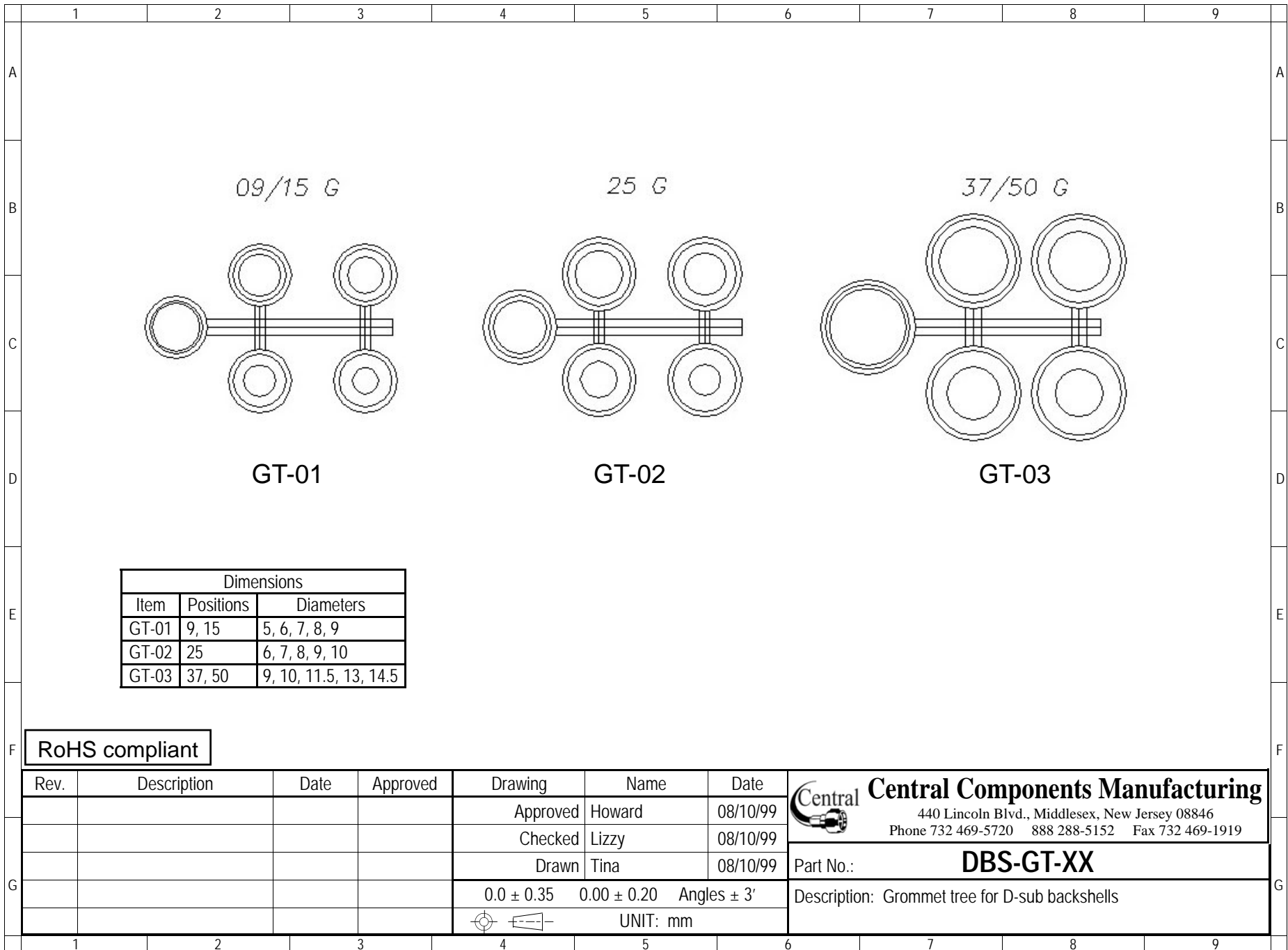
Rev.	Description	Date	Approved	Drawing	Name	Date
				Approved	Howard	03/20/09
				Checked	Lizzy	03/20/09
				Drawn	Tina	03/20/09
				0.0 ± 0.35	0.00 ± 0.20	Angles ± 3'
				UNIT: mm		

Central Components Manufacturing
 440 Lincoln Blvd., Middlesex, New Jersey 08846
 Phone 732 469-5720 888 288-5152 Fax 732 469-1919

Part No.: **DBS25-DA-PC-XX**

Description: D-Sub Metal Hood

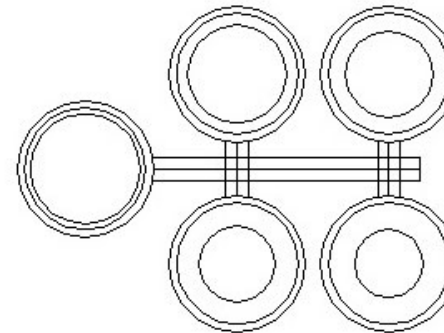
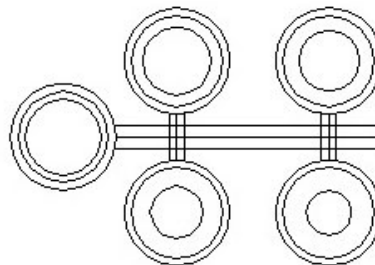
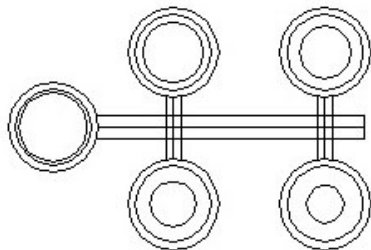
	1	2	3	4	5	6	7	8	9																												
A																																					
B																																					
C	<p>screw #4-11.5-0.5 UNC 4-40</p>		<p>square washer for shoulder screw</p>		<p>Thumbscrew H07#4-3</p>																																
D																																					
E	<p>screw #4-12.5 UNC 4-40</p>		<p>NUT</p>		<p>screw #4-12.5 UNC 4-40</p>		<p>NUT</p>																														
F	Standard Screw Kit (SS)				Thumb Screw Kit (TS)																																
G	<table border="1"> <thead> <tr> <th>Rev.</th> <th>Description</th> <th>Date</th> <th>Approved</th> <th>Drawing</th> <th>Name</th> <th>Date</th> </tr> </thead> <tbody> <tr> <td></td> <td></td> <td></td> <td></td> <td>Approved</td> <td>Howard</td> <td>03/20/09</td> </tr> <tr> <td></td> <td></td> <td></td> <td></td> <td>Checked</td> <td>Lizzy</td> <td>03/20/09</td> </tr> <tr> <td></td> <td></td> <td></td> <td></td> <td>Drawn</td> <td>Tina</td> <td>03/20/09</td> </tr> </tbody> </table>						Rev.	Description	Date	Approved	Drawing	Name	Date					Approved	Howard	03/20/09					Checked	Lizzy	03/20/09					Drawn	Tina	03/20/09	 Central Components Manufacturing 440 Lincoln Blvd., Middlesex, New Jersey 08846 Phone 732 469-5720 888 288-5152 Fax 732 469-1919		
Rev.	Description	Date	Approved	Drawing	Name	Date																															
				Approved	Howard	03/20/09																															
				Checked	Lizzy	03/20/09																															
				Drawn	Tina	03/20/09																															
						Part No.: DBS25-DA-PC-XX																															
						Description: D-Sub Metal Hood																															
				0.0 ± 0.35 0.00 ± 0.20 Angles $\pm 3'$																																	
				 UNIT: mm																																	
	1	2	3	4	5	6	7	8	9																												



09/15 G

25 G

37/50 G



GT-01

GT-02

GT-03

Dimensions		
Item	Positions	Diameters
GT-01	9, 15	5, 6, 7, 8, 9
GT-02	25	6, 7, 8, 9, 10
GT-03	37, 50	9, 10, 11.5, 13, 14.5

RoHS compliant

Rev.	Description	Date	Approved	Drawing	Name	Date
				Approved	Howard	08/10/99
				Checked	Lizzy	08/10/99
				Drawn	Tina	08/10/99
				0.0 ± 0.35	0.00 ± 0.20	Angles ± 3'
					UNIT: mm	
						Central Components Manufacturing 440 Lincoln Blvd., Middlesex, New Jersey 08846 Phone 732 469-5720 888 288-5152 Fax 732 469-1919
Part No.:						DBS-GT-XX
Description:						Grommet tree for D-sub backshells