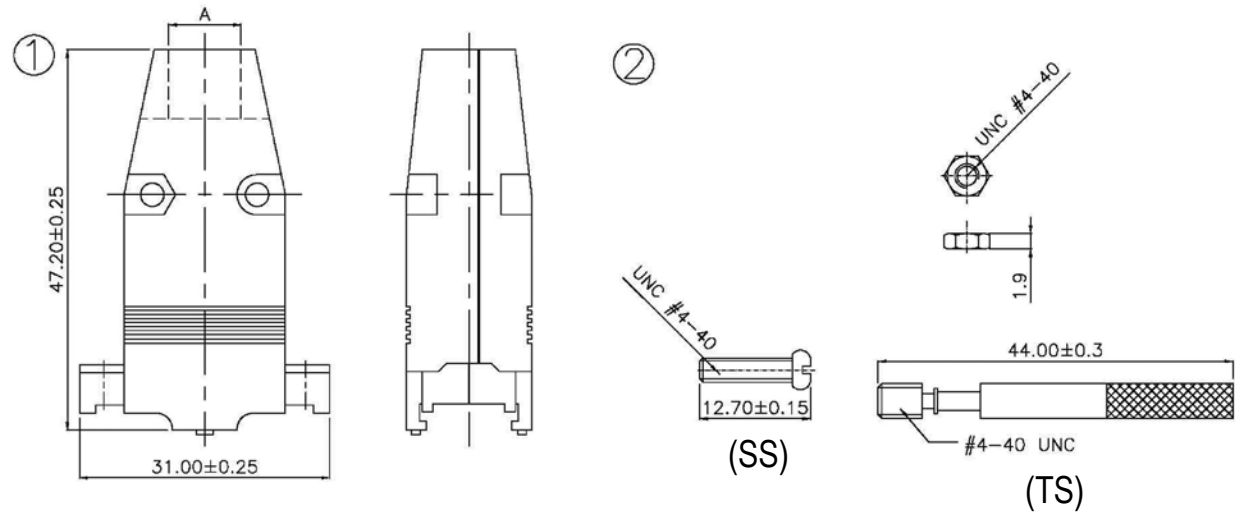


**SPECIFICATIONS**

Shell Material: Zinc Alloy, Nickel Plating  
 Accessories: Steel, Nickel Plating



Positions	Cable Entry Diameter (mm)							
9				6	7	8	9	
15	6	7	8	9	10	12		
25		7	8	9	10	12	13	
37				10	12	14	16	
50			10	13	14	16	18	

↑ Standard

Series	Material/Color	Style	Cable Entry	Screw	Options
DBSXX	XX	X	XX (A)	XX	XX
09, 15, 25, 37, 50	ZM=Zinc diecast PG=Plastic gray PB=Plastic black PT=Plastic tan AM=Aluminum diecast metal PC=Plastic chrome plated	[blank]=V U=U style E=Ethernet R=Right-angle	[blank]=Standard, 06, 07, 08, 09, 10, 12, 13, 14, 16, 18 (See cable entry chart) GT=With Grommet Tree	SS=Standard screw TS=Metal thumb screw PS=Plastic thumb screw	[blank]=None SNP=Snap together (plastic only)

RoHS compliant

Rev.	Description	Date	Approved	Drawing	Name	Date
A	PNT	2/20/09	Greg	Approved	Howard	01/03/05
				Checked	Lizzy	01/03/05
				Drawn	Tina	01/03/05
				0.0 ± 0.35	0.00 ± 0.20	Angles ± 3'
				UNIT: mm		

**Central Components Manufacturing**  
 440 Lincoln Blvd., Middlesex, New Jersey 08846  
 Phone 732 469-5720 888 288-5152 Fax 732 469-1919

Part No.: **DBS09-ZM-X-XX-TS**

Description: D-Sub Metal Hood, Size 9, Zinc Alloy Die Cast, Type R117

