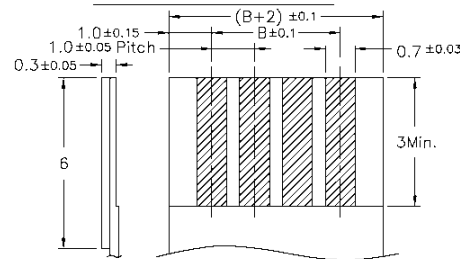
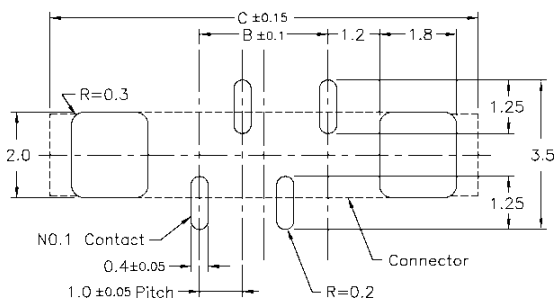
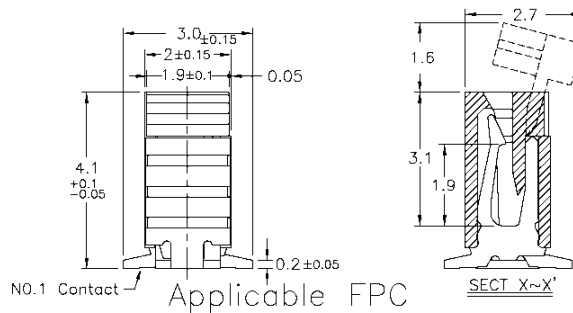
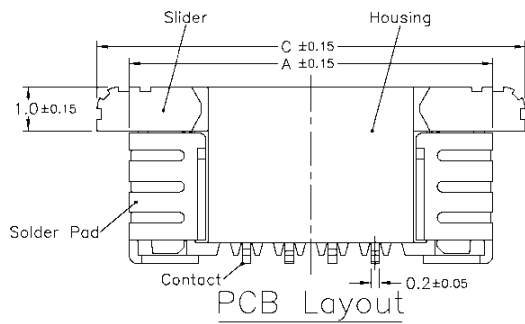


A=Pos. + 4.5  
 B=Pos. - 1  
 C=Pos. + 6  
 D=Pos. + 1.1



**SPECIFICATIONS**

Contact material: Copper alloy  
 Contact plating: Tin or gold  
 Housing material: Thermoplastic  
 Slider material: Thermoplastic  
 Solder pad material: Copper alloy  
 Packaging: Tape or tube

Series	Style	Positions	Plating
CZF	F	XX	XX
FPC/FFC connector, 1mm pitch	See diagram	04-24 positions	TN=Tin GD1=Gold 1μ" over nickel GD3=Gold 3μ" over nickel

**RoHS compliant**

Rev.	Description	Date	Approved	Drawing	Name	Date
				Approved	Howard	08/10/02
				Checked	Lizzy	08/10/02
				Drawn	Tina	08/10/02
				0.0 ± 0.35	0.00 ± 0.20	Angles ± 3'
				UNIT: mm		

**Central Components Manufacturing**  
 440 Lincoln Blvd., Middlesex, New Jersey 08846  
 Phone 732 469-5720 888 288-5152 Fax 732 469-1919

Part No.: **CZF-F-XX-XX**

Description: FPC/FFC connector, 1mm pitch