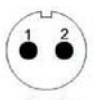

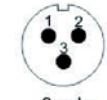

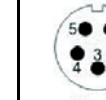




SPECIFICATIONS

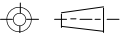
Back Shell:	V-0 Fire Resistance
Insert Material:	Temperature Range 260°C
Contact Material:	Brass
Contact Plating:	Gold over Nickel
Contact Termination:	Solder
Cable OD Range:	Type A 4-6.5mm Type B 5-8mm
IP Rating:	IP68
Mating Cycle:	500 Times minimum
Temperature Range:	-40°C to +85°C
Humidity:	+40°C to 95°C±3%
Vibration:	10-500Hz 100m/S
Shock:	40-80/min 250m/S

Series	Type	Male/Female
CWP	SP13XX	X
Circular Waterproof Connector	XX= See Dwg.	P=Male Plug S=Female Socket PC=Plug w/ Cover SC=Socket w/ Cover

Positions	Cable Diam.
XX	X
02-07 See Chart	(SP1310, SP1311) A=4-6.5mm B=5-8mm

Configuration	Insert Configuration, Female Face View						
							
	2pole	3pole	3pole	4pole	5pole	6pole	7pole
Part # (CWP-SP13XX-X-XX)	02	03	03-A	04	05	06	07
Current Rating	13A	13A	5A	5A	5A	5A	5A
Size & No. Contacts	Ø1.6X2	Ø1.6X3	Ø1X3	Ø1X4	Ø1X5	Ø1X6	Ø1X7
Rated Voltage	250V	250V	250V	200V	180V	125V	125V
Test Voltage	1500V	1500V	1500V	1500V	1000V	1000V	1000V
Contact Resistance mΩ	2	2	5	5	5	5	5
Insulation Resistance mΩ	2000	2000	2000	2000	2000	2000	2000
Wire Size mm ² /AWG	≤2/14	≤2/14	≤0.785/18	≤0.785/18	≤0.785/18	≤0.785/18	≤0.785/18



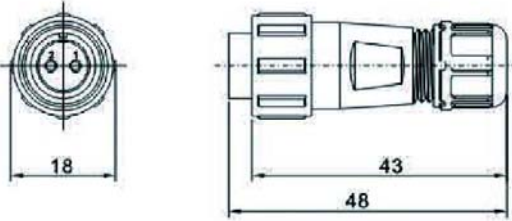


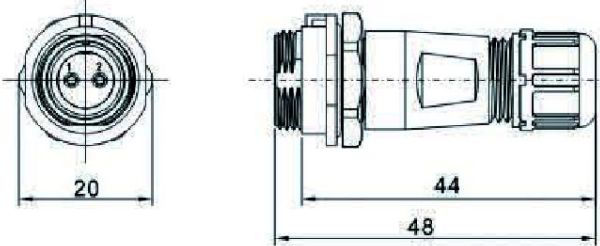


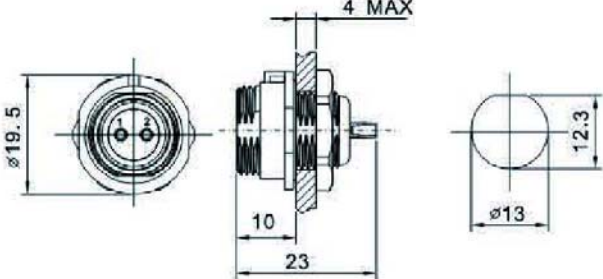

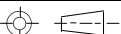
RoHS compliant

Rev.	Description	Date	Approved	Drawing	Name	Date
				Approved	Howard	02/02/10
				Checked	Lizzy	02/02/10
				Drawn	Tina	02/02/10
				0.0 ± 0.35	0.00 ± 0.20	Angles ± 3'
					UNIT: mm	

Central Components Manufacturing
 440 Lincoln Blvd., Middlesex, New Jersey 08846
 Phone 732 469-5720 888 288-5152 Fax 732 469-1919

Part No.: **CWP-SP13XX-X-XX-X**

Description: Circular Waterproof Connector

	1	2	3	4	5	6	7	8	9
A					<p>This item mates with CWP-SP1311, CWP-SP1312 Threaded coupling Solder termination</p>				
B	CWP-SP1310-P		CWP-SP1310-S						
C					<p>This item mates with CWP-SP1310 Threaded coupling Solder termination</p>				
D	CWP-SP1311-P		CWP-SP1311-S						
E					<p>This item mates with CWP-SP1310 Threaded coupling Solder termination</p>				
F	CWP-SP1312-P		CWP-SP1312-S						
G	Rev.	Description	Date	Approved	Drawing	Name	Date	 Central Components Manufacturing 440 Lincoln Blvd., Middlesex, New Jersey 08846 Phone 732 469-5720 888 288-5152 Fax 732 469-1919	
					Approved	Howard	02/02/10	Part No.: CWP-SP13XX-X-XX-X	
					Checked	Lizzy	02/02/10	Description: Circular Waterproof Connector	
					Drawn	Tina	02/02/10		
					0.0 ± 0.35	0.00 ± 0.20	Angles ± 3'		
					 UNIT: mm				
	1	2	3	4	5	6	7	8	9