
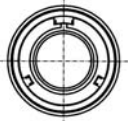
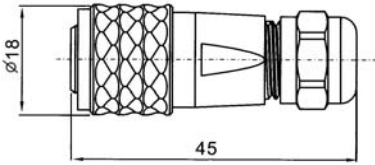


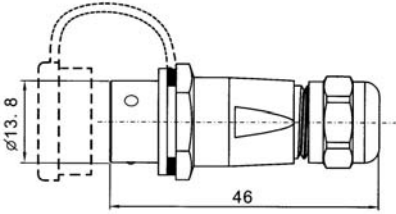

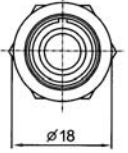
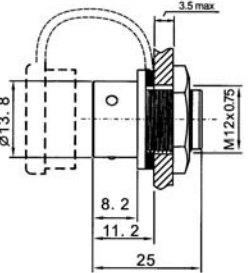
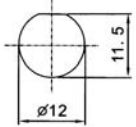
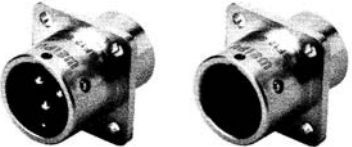
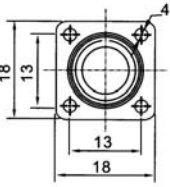
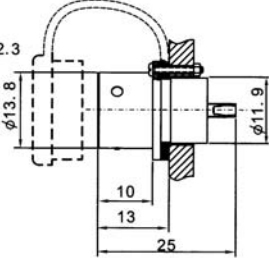
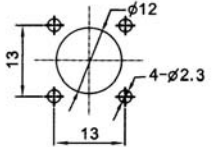

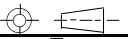


	1	2	3	4	5	6	7	8	9
A		SF-1210							
B		SF-1211							
C		SF-1212							
D		SF-1213							
E									
F		RoHS compliant							
G	Rev.	Description	Date	Approved	Drawing	Name	Date	 Central Components Manufacturing 440 Lincoln Blvd., Middlesex, New Jersey 08846 Phone 732 469-5720 888 288-5152 Fax 732 469-1919	
					Approved	Howard	08/30/10	Part No.: CWP-SF-121X-XX-XX-X	
					Checked	Lizzy	08/30/10	Description: Waterproof connector, IP67	
					Drawn	Tina	08/30/10		
					0.0 ± 0.35	0.00 ± 0.20	Angles ± 3'		
						UNIT: mm			
	1	2	3	4	5	6	7	8	9

SPECIFICATIONS

Coupling: Push pull
 Shell: Brass, chrome plated
 Insert: PPS (260°C max)
 Contacts: Brass, gold plated
 Termination: Solder
 Durability: 500 cycles min.
 Temp range: -25 to +85°C

Contacts	2	3	4	5	6	7	9
Male contact face view							
Rated current (A)	13A	13A	5A	5A	5A	5A	3A
Contact diameter	Ø 1.6X2	Ø1.6X3	Ø 1X4	Ø1X5	Ø1X6	Ø 1X7	Ø0.7X9
Rated voltage (AC.V)	250V	250V	200V	180V	125V	125V	125V
Test voltage(AC.V) 1 min	1500V	1500V	1500V	1000V	1000V	1000V	1000V
Contact resistance mΩ	2	2	5	5	5	5	10
Wire size mm ² /AWG	≤2/14	≤2/14	≤0.785/18	≤0.785/18	≤0.785/18	≤0.785/18	≤0.785/18

Series	Type	Gender	Contacts	Cable OD
CWP	SF121X	XX	0X	X
Waterproof connectors	See drawing	P=Male PC=Male with cover S=Female SC=Female with cover	2, 3, 4, 5, 6, 7, 9	1210 & 1211 only A=4-6.5mm B=5-8mm

Rev.	Description	Date	Approved	Drawing	Name	Date
				Approved	Howard	08/30/10
				Checked	Lizzy	08/30/10
				Drawn	Tina	08/30/10
				0.0 ± 0.35	0.00 ± 0.20	Angles ± 3'
					UNIT: mm	

Central Components Manufacturing
 440 Lincoln Blvd., Middlesex, New Jersey 08846
 Phone 732 469-5720 888 288-5152 Fax 732 469-1919

Part No.: **CWP-SF-121X-XX-XX-X**

Description: Waterproof connector, IP67