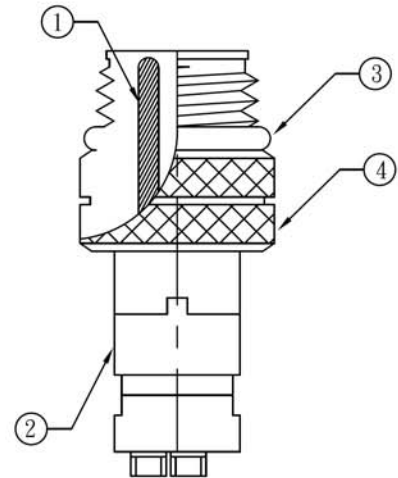
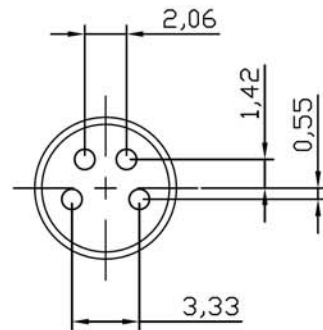
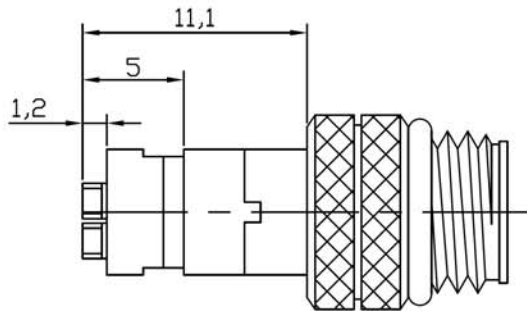


ELECTRICAL CHARACTERISTICS:

SPECIFICATIONS:

Current Rating: 5A
 Withstanding: 125V AC for 1 minute
 Temperature Range: -40°C to +85°C



Item	Name	Description
1	Contact	Brass, Gold Flash
2	Housing	PBT
3	O-Ring	NBR
4	Nut	Brass, Nickel Plated

Series	Type	Version	Positions	Contact Plating
CWP	M8	13115MW	04	GD
Waterproof Circular Connector	M8 Connector	13115 Male Wire Mount	04=4 Positions	GD=Gold

RoHS compliant

Rev.	Description	Date	Approved	Drawing	Name	Date
				Approved	Howard	10/31/13
				Checked	Lizzy	10/31/13
				Drawn	Tina	10/31/13
				0.0 ± 0.35	0.00 ± 0.20	Angles ± 3'
				UNIT: mm		

Central Components Manufacturing
 440 Lincoln Blvd., Middlesex, New Jersey 08846
 Phone 732 469-5720 888 288-5152 Fax 732 469-1919

Part No.: **CWP-M8-13115MW-04-GD**

Description: Circular M8 waterproof wire mount connector, 4 position