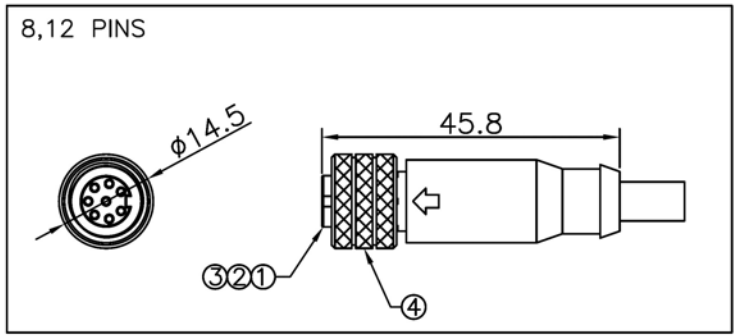


SPECIFICATIONS
 Current Rating: 1.5A / 2A / 5A
 Withstanding: 500V AC for 1 minute
 Temperature Range: -25C to +85C



Item	Name	Description
1	Connector	M12 Female Connector Insert, Black
2	Contact	Brass, Female pin, 6u" Gold plated
3	O-Ring	Viton, Black
4	Ring Nut	Brass, Nickel Plated

Series	Type	Pins	Positions
CWP	M12X	M2	XX-SN
Waterproof Connector	M12 Connector X:D=5A N=2A I=1.5A	M2 Type	XX=3,4,5,8,12 Positions

RoHS compliant

Rev.	Description	Date	Approved	Drawing	Name	Date
				Approved	Howard	02/26/09
				Checked	Lizzy	02/26/09
				Drawn	Tina	02/26/09
				0.0 ± 0.35	0.00 ± 0.20	Angles ± 3'
					UNIT: mm	

Central Components Manufacturing
 440 Lincoln Blvd., Middlesex, New Jersey 08846
 Phone 732 469-5720 888 288-5152 Fax 732 469-1919

Part No.: **CWP-M12X-M2-XX-SN**

Description: M12 Female Molded Connector. IP67-IP68 Rated