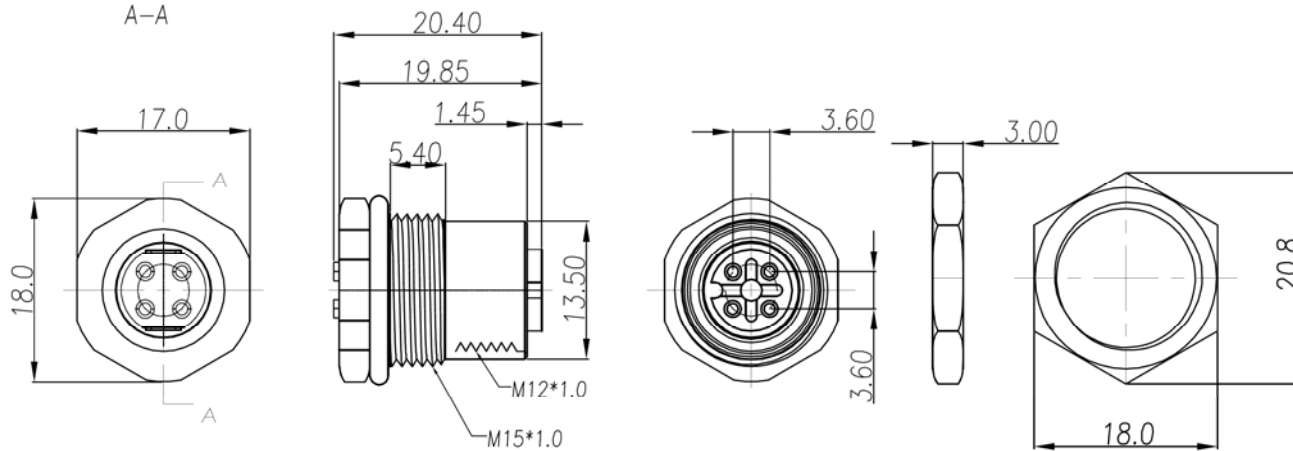


SPECIFICATIONS

Current Rating: 5A
 Voltage Rating: 125V
 Housing: Plastic, UL94V-0, Black
 Contact: Copper Alloy
 Nut: Copper Alloy
 O-Ring A: NBR, Black
 O-Ring B: NBR, Black
 Contact Plating: 10u" Gold over Nickel
 Shell Plating: Nickel Plating 60-100u" over all



Series	Type	Version	Positions	Plating
CWP	M12	V20NF	XX	GDXX
Waterproof Circular Connector	M12 Connector	V20NF=Female Panel Mount	02 to 05	GD=Gold XX=Flash if Blank 10=10μ"

RoHS compliant

Rev.	Description	Date	Approved	Drawing	Name	Date
				Approved	Howard	11/22/12
				Checked	Lizzy	11/22/12
				Drawn	Tina	11/22/12
				0.0 ± 0.35	0.00 ± 0.20	Angles ± 3°
				UNIT: mm		

Central Components Manufacturing
 440 Lincoln Blvd., Middlesex, New Jersey 08846
 Phone 732 469-5720 888 288-5152 Fax 732 469-1919

Part No.: **CWP-M12-V20NF-04-XX**

Description: M12 female panel mount