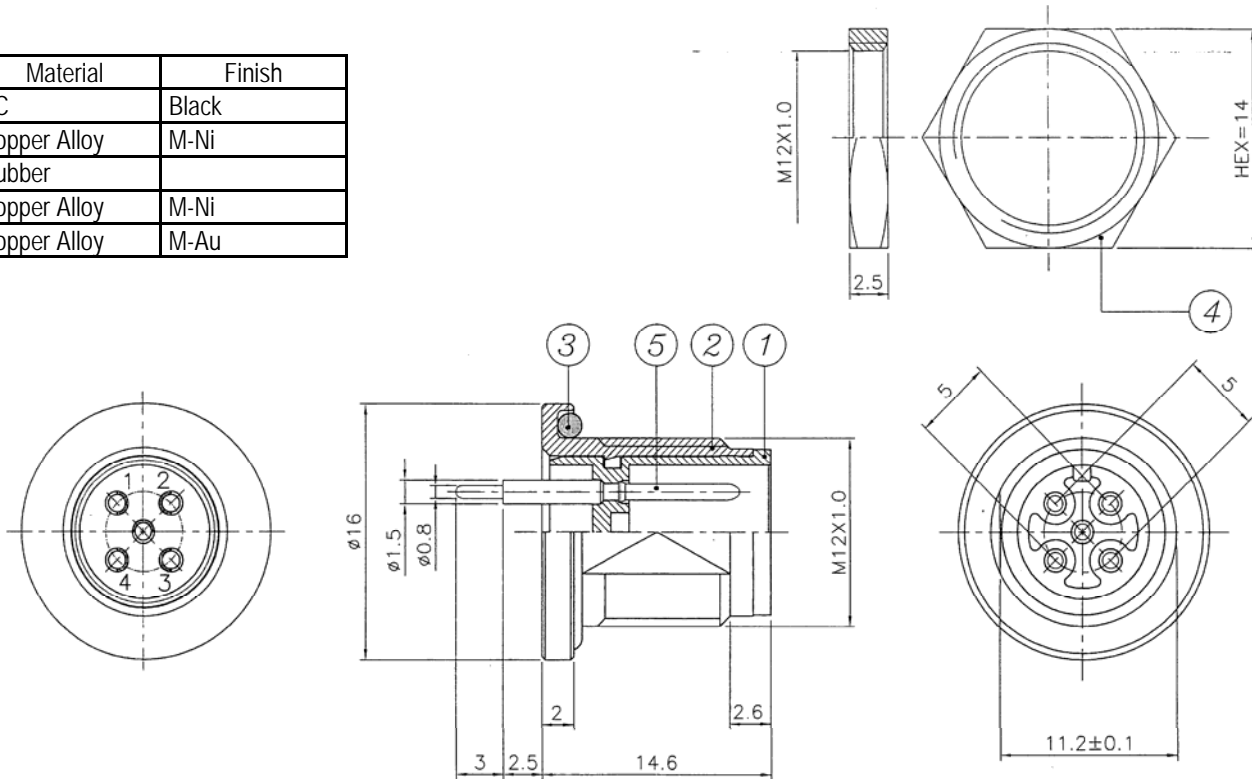
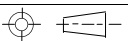



Item	Material	Finish
1	PC	Black
2	Copper Alloy	M-Ni
3	Rubber	
4	Copper Alloy	M-Ni
5	Copper Alloy	M-Au



RoHS compliant

Rev.	Description	Date	Approved	Drawing	Name	Date
				Approved	Howard	10/24/05
				Checked	Lizzy	10/24/05
				Drawn	Tina	10/24/05
				0.0 ± 0.35	0.00 ± 0.20	Angles ± 3'
				 UNIT: mm		


**Central Components Manufacturing**  
 440 Lincoln Blvd., Middlesex, New Jersey 08846  
 Phone 732 469-5720 888 288-5152 Fax 732 469-1919

Part No.: **CWP-M12-625RMF**

Description: M12 Waterproof Connector, Female, 5Pos., Panel Mount