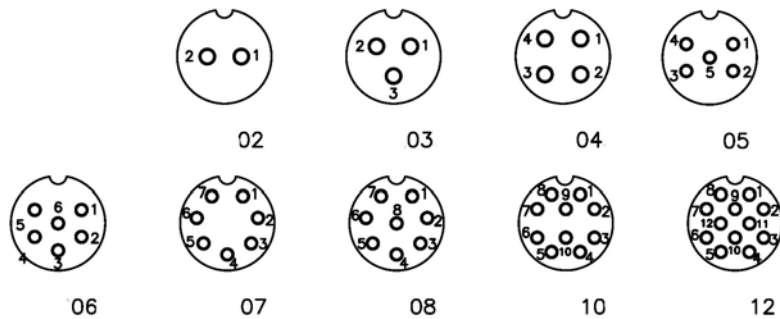
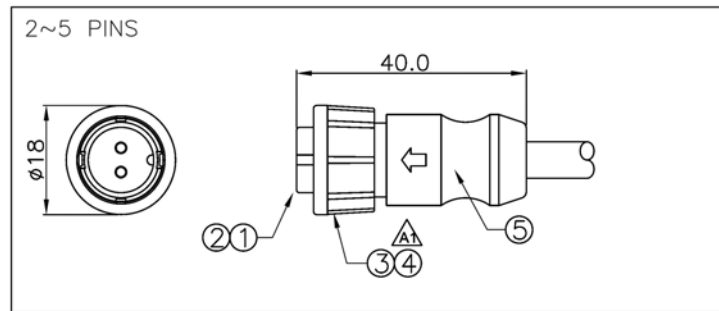
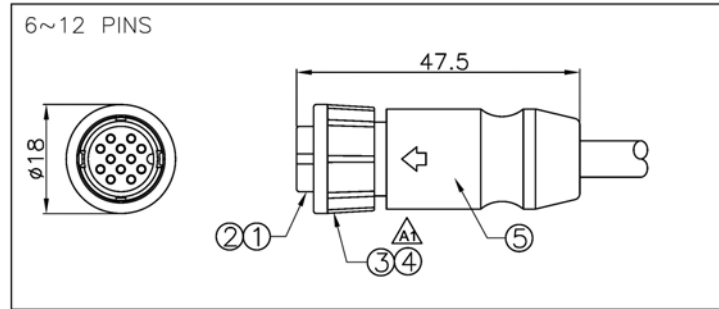


SPECIFICATIONS

Current Rating: 2A/5A/10A
 Withstanding: 500V AC for 1 minute
 Temperature Range: -40C to 105C



PIN ASSIGNMENT FRONT VIEW

Item	Name	Material
1	Connector	B Size Female Connector Insert, Nylon+GF, black
2	Contact	Brass, Female Pin, 6u" Gold Plated
3	O-Ring	NBR, black
4	Lock Nut	Nylon+GF, black
5	Overmold	PVC or PU, black

Series	Type	Current	Positions
CWP	L2SN	XX	XX
Circular water-proof connector	Female connector Molded Cable	10=10A 5=5A 2=2A	2,3,4,5,6,7,8,10,12 Positions

RoHS compliant

Rev.	Description	Date	Approved	Drawing	Name	Date
				Approved	Howard	12/07/11
				Checked	Lizzy	12/07/11
				Drawn	Tina	12/07/11
				0.0 ± 0.35	0.00 ± 0.20	Angles ± 3'
					UNIT: mm	

Central Components Manufacturing
 440 Lincoln Blvd., Middlesex, New Jersey 08846
 Phone 732 469-5720 888 288-5152 Fax 732 469-1919

Part No.: **CWP-L2SN-XX-XX**

Description: Circular Waterproof Female Connector, Molded Cable