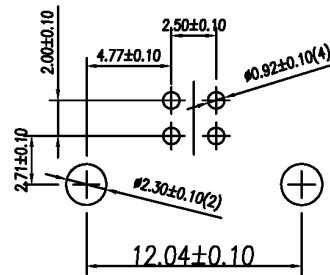
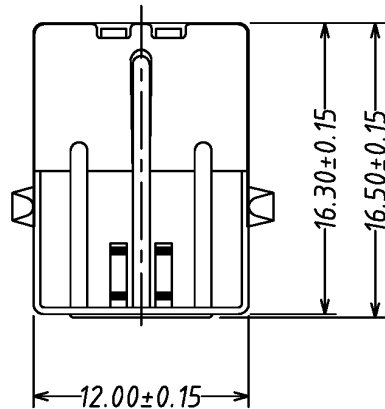


**SPECIFICATIONS**

Current Rating:	1.0Amp
Voltage Rating:	30V
Contact Material:	Bronze
Contact Plating:	Gold
Contact Resistance:	50mΩ Max.
Insulator Material:	PBT+ 30%G.F or Ny6T UL94V-0
Insulator Resistance:	1000M min.
Shell Material:	Brass
Shell Plating:	Tin
Mating:	35N max.
Withdrawal Force:	10N min.
Durability:	1500 cycles min.
Withstanding:	100V AC
Operating Temp:	-55°C to +85°C



RECOMMENDED P.C.B. PATTERN LAYOUT

RoHS compliant

Rev.	Description	Date	Approved	Drawing	Name	Date
				Approved	Howard	05/22/08
				Checked	Lizzy	05/22/08
				Drawn	Tina	05/22/08
				0.0 ± 0.35	0.00 ± 0.20	Angles ± 3'
				UNIT: mm		

**Central Components Manufacturing**  
 440 Lincoln Blvd., Middlesex, New Jersey 08846  
 Phone 732 469-5720 888 288-5152 Fax 732 469-1919

Part No.: **CUSB-B-JRS2-04FS7BN3ABC**

Description: USB B Type 90° Dip Female