

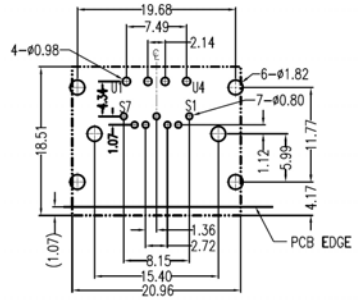
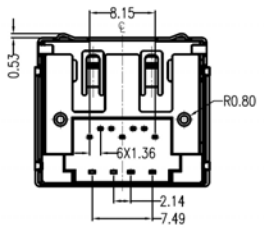
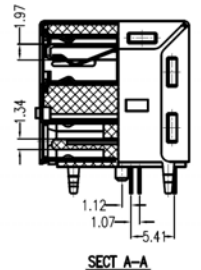
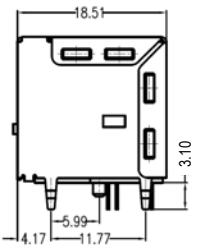
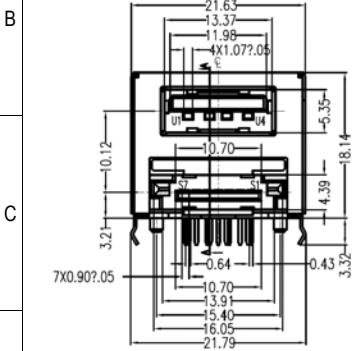
Signal Name	Pin Number	USB
U1	VBUS	
U2	D-	
U3	D+	
U4	GDN	

Signal Name	Pin Number	eSATA
S1	GND	
S2	A+	
S3	A-	
S4	GND	
S5	B-	
S6	B+	
S7	GND	

SPECIFICATIONS

eSATA
 Operating Voltage: 100V AC Max
 Current Rating: 1.5 Ampere per contact
 Contact Resistance: 30mΩ Max
 Insulation Resistance: 1000MΩ Min
 Withstanding: 500V AC
 Housing: Nylon46+30% GF, UL04V-0
 Contact: Brass, Au plating on contact area, Sn plating On Solder Tail, Ni underplating over all

USB
 Voltage Rating: 1.5A @ 250V AC min
 Contact Resistance: 30mΩ Max
 Insulation Resistance: 1000MΩ Min at 500V AC Min
 Withstanding: 500V AC for 1 minute
 Housing: Nylon66+30% GF, UL94V-0, Black
 Retainer: Nylon66+30% GF, UL94V-0, Black
 Contact: Phosphor Bronze, Au Plating on contact area Sn Plating on Solder Tail, Ni underplating over all
 Shell: SUS 304; Sn Plating on Solder Tail
 Shell (inside): SUS 304
 Operating Temp: -55C to +85C



PCB Layout(T=1.60mm)
COMPONENT SIDE



Series	Type	Style	Ports/Gender/Cont/ Mount	Material	Shell Plating	Contact Plating	Color
CUSB/SATA	A	CS	2F11RT	ED	X	SGXX	RD
USB/SATA Connector	A=Type A	Style CS	2 Port, Female, 11 pos. Side Entry Through Hole	D=N46 E=N66	T=Tin	SGXX=Selective Gold XX=1, 5, 10, 15u"	RD=Red

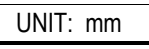
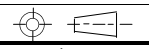
RoHS compliant

Rev.	Description	Date	Approved	Drawing	Name	Date
				Approved	Howard	12/15/11
				Checked	Lizzy	12/15/11
				Drawn	Tina	12/15/11
				0.0 ± 0.35	0.00 ± 0.20	Angles ± 3'
				UNIT: mm		

Central Components Manufacturing
 440 Lincoln Blvd., Middlesex, New Jersey 08846
 Phone 732 469-5720 888 288-5152 Fax 732 469-1919

Part No.: **CUSB/SATA-A-CS-2F11RT-T-SGXX-RD**

Description: USB type A over SATA connector



Angles ± 3'

UNIT: mm