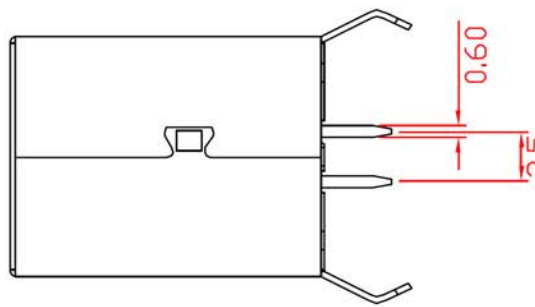


(COMPONENT SIDE)
PCB LAYOUT



SPECIFICATIONS

Current Rating: 1.5A
 Voltage Rating: 250V
 Contact Resistance: 30m Ohm Max.
 Insulation Resistance: 1000M Ohm Min @ 500V
 Durability: 1500 Cycles
 Insertion Force: 35 Newton Max.
 Extraction Force: 10 Newton Min
 Withstanding: 750V AC for 1 minute

Item	Name	Material	Finish / Remark
1	Housing	PBT G.F.	White
2	Pin Terminal	Phos. Bronze T:0.25	Gold / Tin Plated, Gold:1-3u", Ni:40-60u", TIN: 120u"
3	Shell	Brass T: 0.3	Nickel Plated, Ni:80-120u"
4	Bottom Cover	PBT G.F.	White

RoHS compliant

Rev.	Description	Date	Approved	Drawing	Name	Date
				Approved	Howard	05/21/10
				Checked	Lizzy	05/21/10
				Drawn	Tina	05/21/10
				0.0 ± 0.35	0.00 ± 0.20	Angles ± 3'
				UNIT: mm		



Central Components Manufacturing

440 Lincoln Blvd., Middlesex, New Jersey 08846
 Phone 732 469-5720 888 288-5152 Fax 732 469-1919

Part No.: **CUSB-B-04KS1KBNWL**

Description: USB B Type Flat 4 Pin DIP