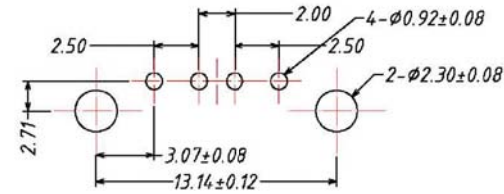
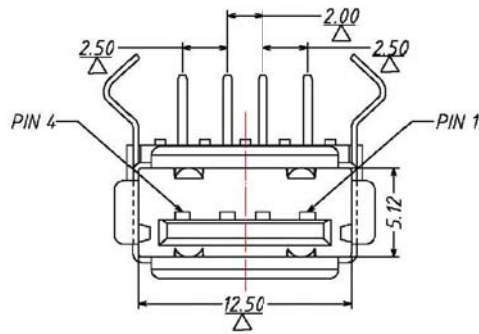
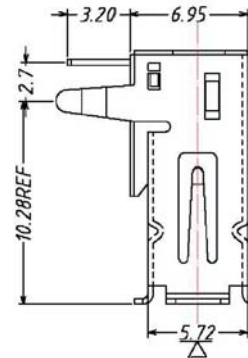
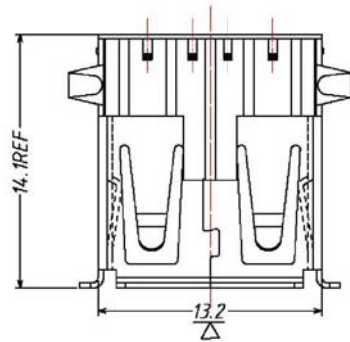


SPECIFICATIONS

Current rating: 1 amp
 Housing Material: Thermoplastic, UL94V-0
 Shell Material: Copper Alloy/Steel
 Withstanding: 100VAC
 Operating temperature: -20°C to +85°C



P.C.B LAYOUT

RoHS compliant

Rev.	Description	Date	Approved	Drawing	Name	Date
				Approved	Howard	03/05/09
				Checked	Lizzy	03/05/09
				Drawn	Tina	03/05/09
				0.0 ± 0.35	0.00 ± 0.20	Angles ± 3'
					UNIT: mm	

Central Components Manufacturing
 440 Lincoln Blvd., Middlesex, New Jersey 08846
 Phone 732 469-5720 888 288-5152 Fax 732 469-1919

Part No.: **CUSB-A-JRS1-04FS1BN2A3B**

Description: USB connector, female, type A, right angle PCB thru-hole mount, white (1) or black (3)