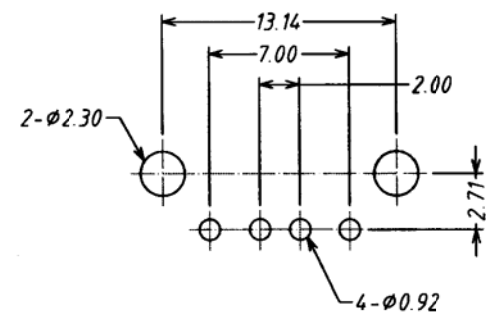
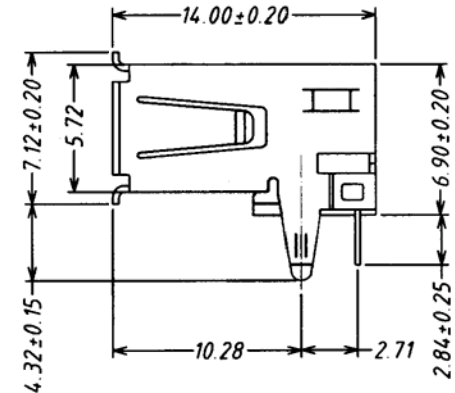
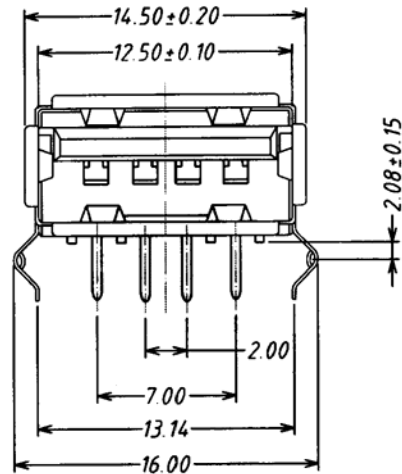


SPECIFICATIONS

Voltage rating: 30VAC
 Current rating: 1 amp
 Contact material: Copper alloy
 Contact resistance: 30 milliohms max.
 Housing material: Thermoplastic, UL94V-0
 Shell material: Copper alloy
 Insulation resistance: 1,000 megohms min.
 Withstanding: 500VAC
 Temperature range: -20°C to +85°C



RoHS compliant

Rev.	Description	Date	Approved	Drawing	Name	Date
				Approved	Howard	08/10/99
				Checked	Lizzy	08/10/99
				Drawn	Tina	08/10/99
				0.0 ± 0.35	0.00 ± 0.20	Angles ± 3'
				 UNIT: mm		

Central Components Manufacturing
 440 Lincoln Blvd., Middlesex, New Jersey 08846
 Phone 732 469-5720 888 288-5152 Fax 732 469-1919

Part No.: **CUSB-A-JR51-04FS1BN1**

Description: USB connector, type A