

**SPECIFICATIONS**

Contact Current Rating: 1 Amp. 30V AC

100MΩ Min

50mΩ Max.

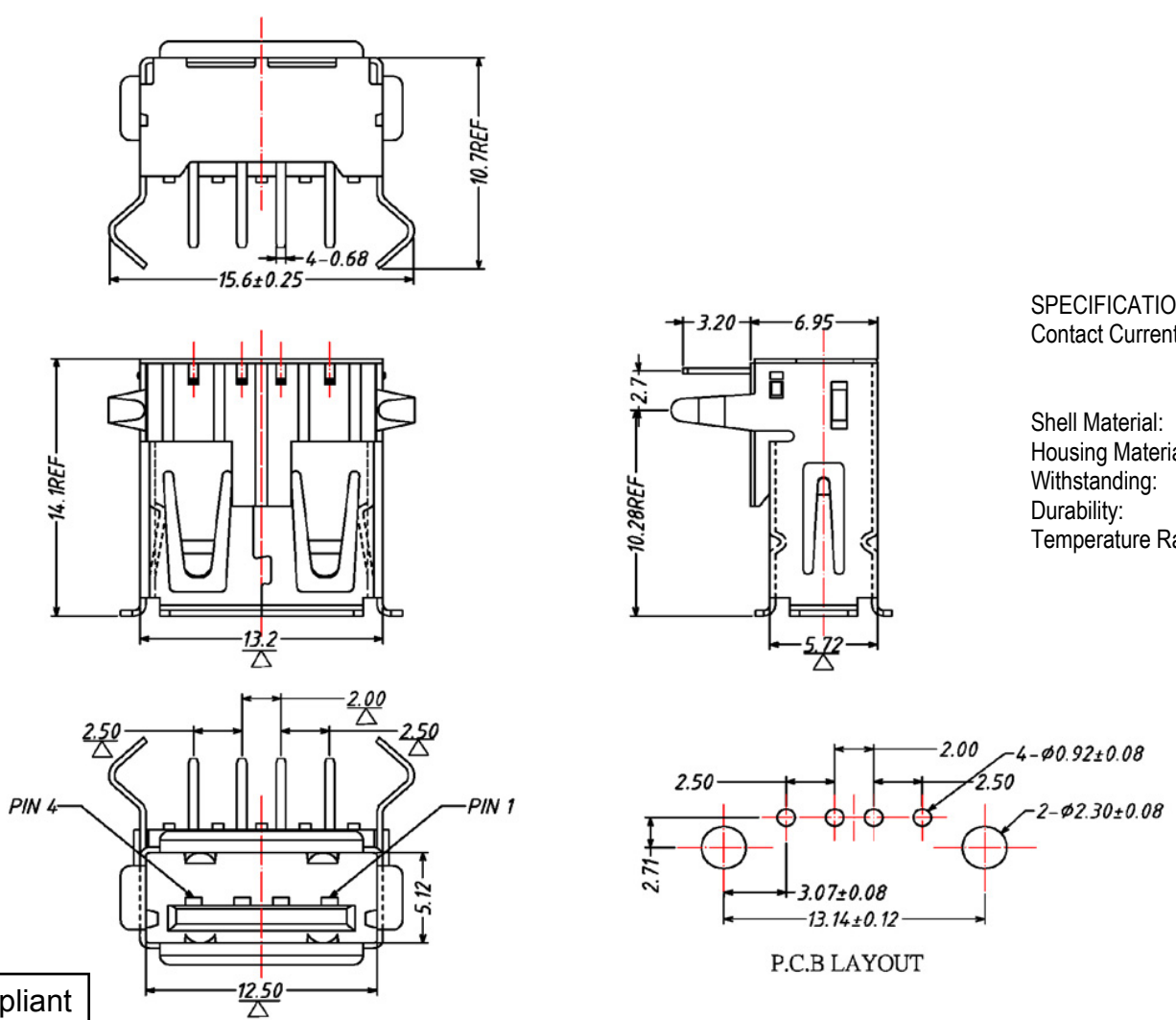
Shell Material: Copper Alloy / Steel

Housing Material: UL94V-0

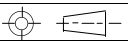
Withstanding: 100V AC


Durability: 3000 Cycles min.

Temperature Range: -20°C to +85°C



RoHS compliant

Rev.	Description	Date	Approved	Drawing	Name	Date
				Approved	Howard	08/26/07
				Checked	Lizzy	08/26/07
				Drawn	Tina	08/26/07
				0.0 ± 0.35	0.00 ± 0.20	Angles ± 3'
				 UNIT: mm		


**Central Components Manufacturing**  
 440 Lincoln Blvd., Middlesex, New Jersey 08846  
 Phone 732 469-5720 888 288-5152 Fax 732 469-1919

Part No.: **CUSB-A-JKS1BN1A3B**  
 Description: USB A Type 4P Female 90° DIP (2.0 version)