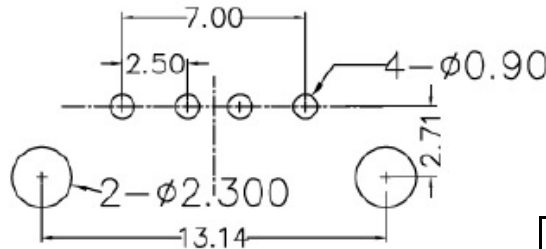
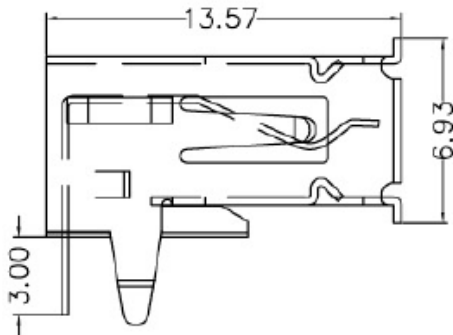


**SPECIFICATIONS**

Current Rating:	1 Amp
Insulation Resistance:	1000mΩ Min.
Contact Resistance:	30mΩ Max.
Mating Force:	3.57KG Max.
Unmating Force:	1.02KG Min
Housing:	Thermoplastic UL94V-0 Rated
Contact:	Copper Alloy
Shell:	Steel
Withstanding:	AC 750V RMS



RECOMMENDED PCB LAYOUT

Item	Name	Material	Finish
1	Housing	High Temp	UL94V-0
2	Terminal	Pho. Bronze	Gold/Tin Plated
3	Shell	Brass	Nickel Plated

RoHS compliant

Rev.	Description	Date	Approved	Drawing	Name	Date
				Approved	Howard	06/26/05
				Checked	Lizzy	06/26/05
				Drawn	Tina	06/26/05
				0.0 ± 0.35	0.00 ± 0.20	Angles ± 3'
						UNIT: mm

**Central Components Manufacturing**  
 440 Lincoln Blvd., Middlesex, New Jersey 08846  
 Phone 732 469-5720 888 288-5152 Fax 732 469-1919

Part No.: **CUSB-A-F2102ATD-04**

Description: USB A/F 90° DIP