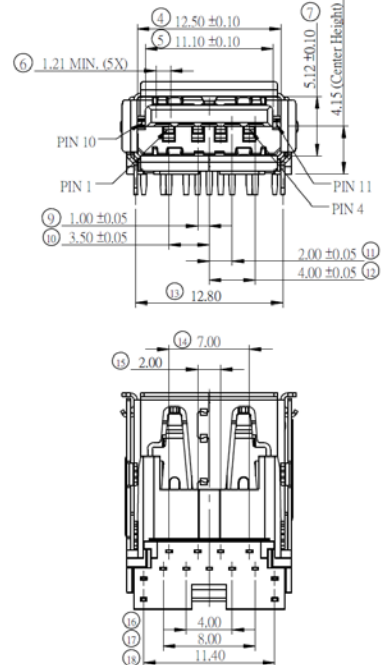


SPECIFICATIONS
 Current Rating: 1.8 Amps max.
 Contact Resistance: 30mΩ initial for Vbus & GND contact
 50mΩ for all other contacts
 Insulation Resistance: 100 Mohms min @ 100 DAC
 Withstanding: 100 VAC / minute
 Insulator: Thermoplastic, UL94V-0
 Contacts: Copper Alloy
 Shell: Steel
 Underplate: 80u" Nickel
 Contact Area Plating: 30u" Pd-Ni+2u" Gold
 Solder Tails: 100u" ~ 200u" Tin
 Temperature Range: -20C to +85C

Pin Assignments	
Pin	Signal
1	VBUS
2	D-
3	D+
4	GND
5	StdA_SSRX-
6	StdA_SSRX+
7	GND_Drain
8	StdA_SSTX-
9	StdA_SSTX+
10	PD DETECT
11	INSERTION DETECT



Series	Type	Style	Ports/Gender/Cont/Mount	Material	Shell Plating	Contact Plating	Color
CUSB	A	CT	1F9RT	L	X	GD30	BL
USB Connector	Type A	See Drawing	Single Port Female, 9 Pins	L=LCP	N=Nickel (std)	30μ" Gold	BL=Blue

RoHS compliant

Rev.	Description	Date	Approved	Drawing	Name	Date
				Approved	Howard	03/30/15
				Checked	Lizzy	03/30/15
				Drawn	Tina	03/30/15
				0.0 ± 0.35	0.00 ± 0.20	Angles ± 3'
				UNIT: mm		

Central Components Manufacturing
 440 Lincoln Blvd., Middlesex, New Jersey 08846
 Phone 732 469-5720 888 288-5152 Fax 732 469-1919

Part No.: **CUSB-A-CT-1F9RT-L-N-SG30-BL**

Description: USB A 3.1 Female Connector