

PCB LAYOUT (TOL:±0.05mm)

SPECIFICATIONS

Current Rating: 1.5 Amperes
 Withstanding: 500V AC @ sea level
 Insulation Resistance: 1000 Megaohms Min.
 Mating Force: 3.57 kgf. Max
 Unmating Force: 1.02 kgf. Minimum
 Housing: Hi-Temp LCP, UL94V-0, Black
 Contact: Copper Alloy, Gold Plated on Contact Area
 Tin Plated on Solder Tails
 Nickel Underplated Overall
 Shell: Copper Alloy, Nickel Plated
 Operating Temp: 0°C to +50°C

Series	Type	Style	Ports/Gender/Cont/Mount	Material	Shell Plating	Contact Plating	Color
CUSB	A	CS22	1F4RTS	A	X	SGXX	XX
USB Connector	Type A	See Drawing	1F4S=Single Port Female 4 Contacts, Side Entry Through Hole Plus SMT	A=LCP	N=Nickel (std)	SGXX=Selective Gold XX=Flash (v1.1) if blank, 30=30u" (v2.0)	BK=Black

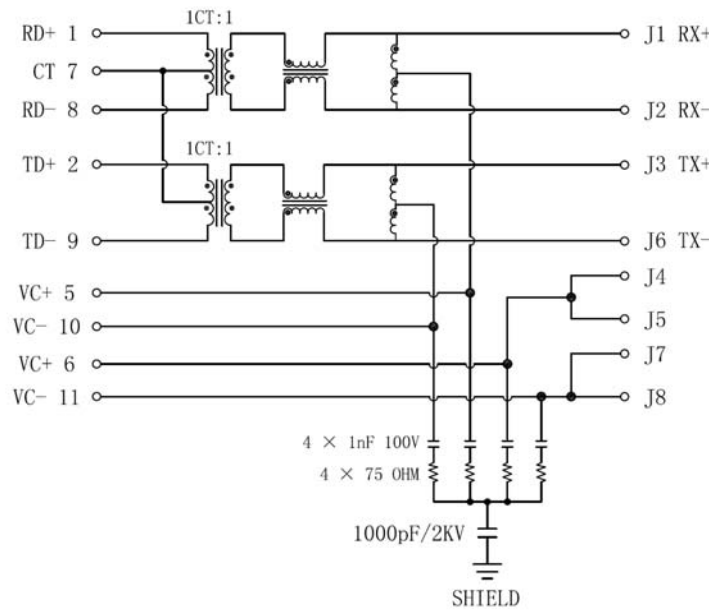
RoHS compliant

Rev.	Description	Date	Approved	Drawing	Name	Date
				Approved	Howard	04/26/10
				Checked	Lizzy	04/26/10
				Drawn	Tina	04/26/10
				0.0 ± 0.35	0.00 ± 0.20	Angles ± 3'
				UNIT: mm		

Central Components Manufacturing
 440 Lincoln Blvd., Middlesex, New Jersey 08846
 Phone 732 469-5720 888 288-5152 Fax 732 469-1919

Part No.: **CUSB-A-CS22-1F4RTS-A-N-SGXX-BK**

Description: USB 2.0 A Type, Right Angle Female, DIP+SMT



ELECTRICAL SPECIFICATIONS

OCL: 350uH min
 @100KHz, 100mV, 8mA bias current

Turns Ratio ($\pm 2\%$):
 TX=1CT:1 RX=1CT:1

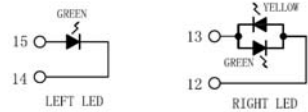
Insertion Loss:
 0.1-100MHz:-1.5dB Max

Return Loss:
 2-30MHz:-16 Min
 60-80MHz:-10 Min

Crosstalk:
 0.1-100MHz:-30dB Min

Balanced DC Line Current:
 350mA Max @ 57 VDC Continuous
 500mA Max @ 57 VDC for 200 Milliseconds

Hipot: 1500V
 Operating Temp: 0°C ~ 70°C



Rev.	Description	Date	Approved	Drawing	Name	Date
				Approved	Howard	04/26/10
				Checked	Lizzy	04/26/10
				Drawn	Tina	04/26/10
				0.0 ± 0.35	0.00 ± 0.20	Angles ± 3'
				UNIT: mm		

Central Components Manufacturing
 440 Lincoln Blvd., Middlesex, New Jersey 08846
 Phone 732 469-5720 888 288-5152 Fax 732 469-1919

Part No.: **CUSB-A-CS22-1F4RTS-A-N-SGXX-BK**

Description: USB 2.0 A Type, Right Angle Female, DIP+SMT

	1	2	3	4	5	6	7	8	9																																											
A										A																																										
B										B																																										
C										C																																										
D										D																																										
E										E																																										
F										F																																										
G	<table border="1"> <thead> <tr> <th>Rev.</th> <th>Description</th> <th>Date</th> <th>Approved</th> <th>Drawing</th> <th>Name</th> <th>Date</th> </tr> </thead> <tbody> <tr> <td></td> <td></td> <td></td> <td></td> <td>Approved</td> <td>Howard</td> <td>04/26/10</td> </tr> <tr> <td></td> <td></td> <td></td> <td></td> <td>Checked</td> <td>Lizzy</td> <td>04/26/10</td> </tr> <tr> <td></td> <td></td> <td></td> <td></td> <td>Drawn</td> <td>Tina</td> <td>04/26/10</td> </tr> <tr> <td></td> <td></td> <td></td> <td></td> <td>0.0 ± 0.35</td> <td>0.00 ± 0.20</td> <td>Angles ± 3'</td> </tr> <tr> <td></td> <td></td> <td></td> <td></td> <td colspan="3">UNIT: mm</td> </tr> </tbody> </table>						Rev.	Description	Date	Approved	Drawing	Name	Date					Approved	Howard	04/26/10					Checked	Lizzy	04/26/10					Drawn	Tina	04/26/10					0.0 ± 0.35	0.00 ± 0.20	Angles ± 3'					UNIT: mm			<p>Central Components Manufacturing 440 Lincoln Blvd., Middlesex, New Jersey 08846 Phone 732 469-5720 888 288-5152 Fax 732 469-1919</p> <p>Part No.: CUSB-A-CS22-1F4RTS-A-N-SGXX-BK</p> <p>Description: USB 2.0 A Type, Right Angle Female, DIP+SMT</p>			G
Rev.	Description	Date	Approved	Drawing	Name	Date																																														
				Approved	Howard	04/26/10																																														
				Checked	Lizzy	04/26/10																																														
				Drawn	Tina	04/26/10																																														
				0.0 ± 0.35	0.00 ± 0.20	Angles ± 3'																																														
				UNIT: mm																																																
	1	2	3	4	5	6	7	8	9																																											