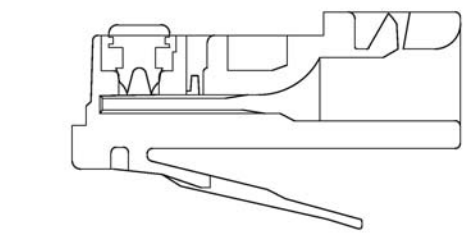
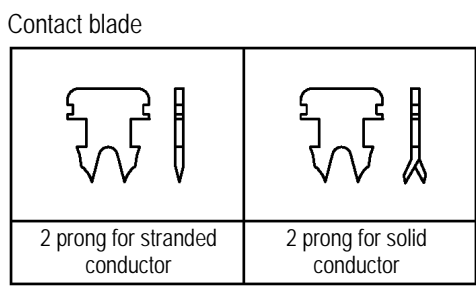
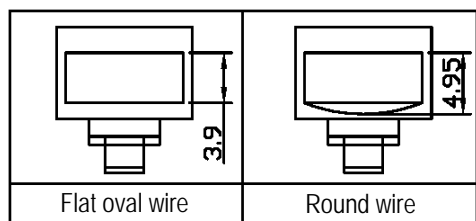
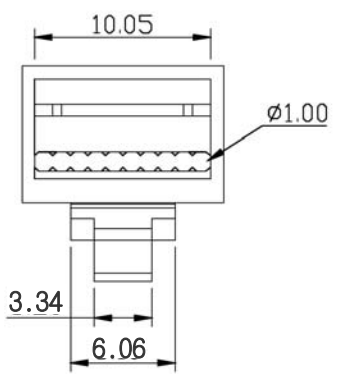
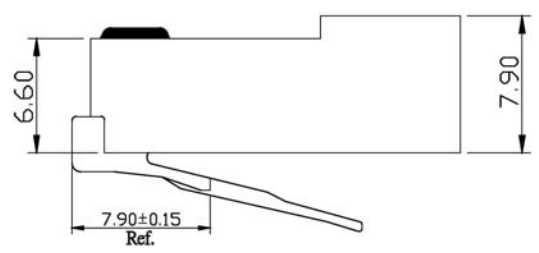


SPECIFICATIONS
 Voltage Rating: 125 V AC, at 1.5amps
 Withstanding: 1000 V AC
 Insulation Resistance: 500 megohms
 Contact Resistance: 30 milliohms max.
 Durability: 750 cycles
 Contact material: Copper alloy
 Contact plating: Gold
 Housing material: PC, UL94V-2 (UL94V-0 available on request)
 Strip Length: 20mm
 Operating Temp: -40C to 80C



Series	Type	Positions	Contacts	Plating	Options
CTP	100LB	XX	X	PX	XX
Modular plug	Type 100 Long Body	06,08,10 Pos.	6,8,10	P0=6μ" gold P1=15μ" gold P2=30μ" gold P3=50μ" gold	[blank]=1mm Flat wire 8=.8mm wire RW=Round wire SW=Solid wire MS=Metal shield KY=Keyed

RoHS compliant

Rev.	Description	Date	Approved	Drawing	Name	Date
A	Part number	12/03/07	Tom	Approved	Howard	11/25/03
B	DIM Spec	10/11/13	Tom	Checked	Lizzy	11/25/03
C	Part Number	1/15/16	GL	Drawn	Tina	11/25/03
				0.0 ± 0.35	0.00 ± 0.20	Angles ± 3'
				UNIT: mm		

Central Components Manufacturing
 440 Lincoln Blvd., Middlesex, New Jersey 08846
 Phone 732 469-5720 888 288-5152 Fax 732 469-1919

Part No.: **CTP-100LB-10-10-PX-XX**

Description: Modular plug, 10 positions long body