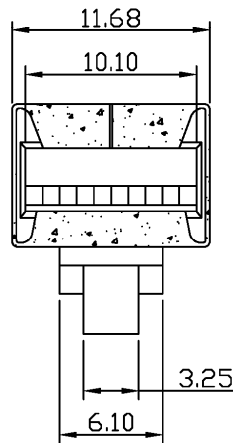
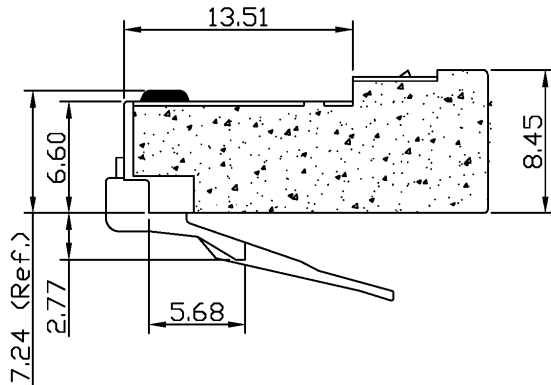
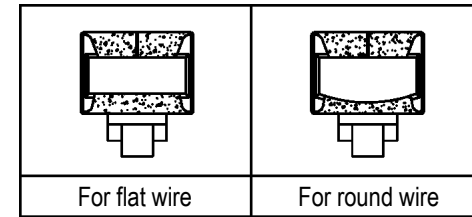
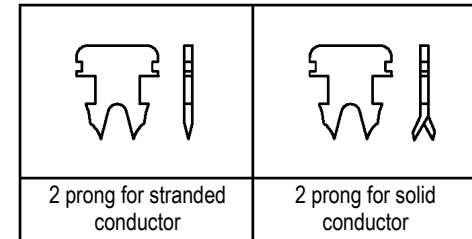


SPECIFICATIONS

Contact material: Copper alloy
 Contact plating: Gold
 Housing material: PC, UL94V-2 (UL94V-0 available on request)
 Shield material: Brass 0.25mm
 Shield plating: Nickel
 Wire type: Flat or optional round



Contact blade



RoHS compliant

Series	Type	Positions	Contacts	Plating	Options
CTP	100LB	10	10	PX	MS
Modular plug	type 100 long body	10=10 positions	10=10 contacts	P1=15μ" gold P2=30μ" gold P3=50μ" gold	[blank]=Flat wire RW=Round wire SW=Solid wire MS=Metal shield

Rev.	Description	Date	Approved	Drawing	Name	Date
				Approved	Howard	11/25/03
				Checked	Lizzy	11/25/03
				Drawn	Tina	11/25/03
				0.0 ± 0.35	0.00 ± 0.20	Angles ± 3'
						UNIT: mm

Central Components Manufacturing
 440 Lincoln Blvd., Middlesex, New Jersey 08846
 Phone 732 469-5720 888 288-5152 Fax 732 469-1919

Part No.: **CTP-100LB-10-10-PX-MS**

Description: Modular plug, 10 positions, long body, shielded