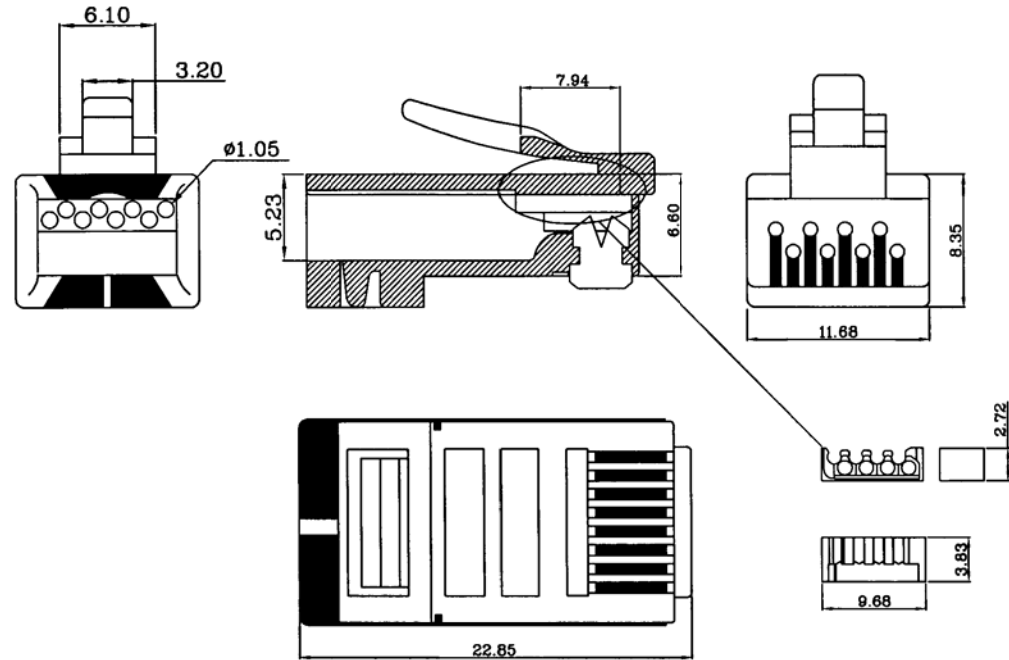


**SPECIFICATIONS**

Contact material: Phosphor bronze  
 Contact plating: Gold  
 Housing material: UL94V-0



Series	Positions	Contacts	Plating	Options
CTP	08	8	PX	XX
Modular plug	8 positions	8 contacts	P1=15μ" gold P2=30μ" gold P3=50μ" gold	[blank]=None MS=Metal shield RW=Round wire SW=Solid wire

RoHS compliant

Rev.	Description	Date	Approved	Drawing	Name	Date
				Approved	Howard	02/16/06
				Checked	Lizzy	02/16/06
				Drawn	Tina	02/16/06
				0.0 ± 0.35	0.00 ± 0.20	Angles ± 3'
				UNIT: mm		

**Central Components Manufacturing**  
 440 Lincoln Blvd., Middlesex, New Jersey 08846  
 Phone 732 469-5720 888 288-5152 Fax 732 469-1919

Part No.: **CTP-08-8-PX-RW-CAT6**

Description: Modular jack, 8P/8C, shielded CAT 6