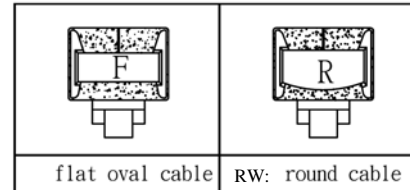
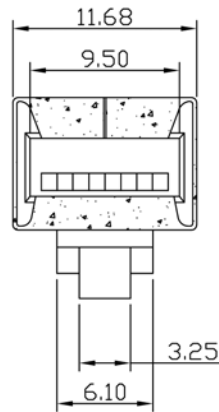
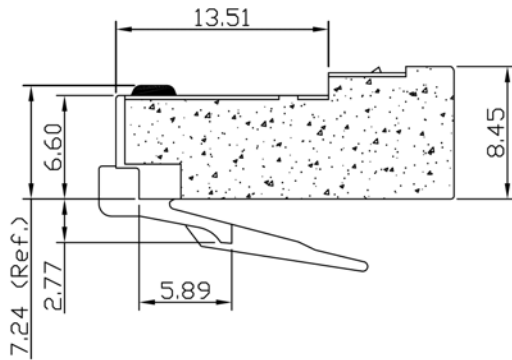
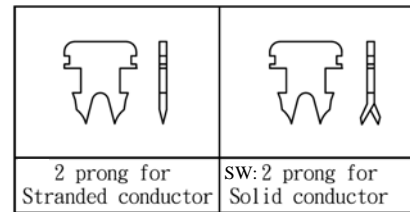


**SPECIFICATIONS**

Contact Material: Copper Alloy, Gold Plating  
 Housing: PC, UL94V-0  
 Shield: 0.25mm Brass, Nickel Plating



Contact blade (A or B )



Series	Positions	Contacts	Type	Plating	Options
CTP	08	8	100	XX	XX
Modular Phone Plug	08=8 Positions	8=8 Contacts	Type=100	P1=15u" Gold P2=30u" Gold P3=50u" Gold	Blank=Flat Stranded Wire RW=Round Wire SW=Solid Wire MS=Metal Shield

RoHS compliant

Rev.	Description	Date	Approved	Drawing	Name	Date
				Approved	Howard	11/18/03
				Checked	Lizzy	11/18/03
				Drawn	Tina	11/18/03
				0.0 ± 0.35	0.00 ± 0.20	Angles ± 3'
				UNIT: mm		

**Central Components Manufacturing**  
 440 Lincoln Blvd., Middlesex, New Jersey 08846  
 Phone 732 469-5720 888 288-5152 Fax 732 469-1919

Part No.: **CTP-08-8-100-PX-MS**

Description: 8 Position Shielded Modular Plug

F  
G

F  
G