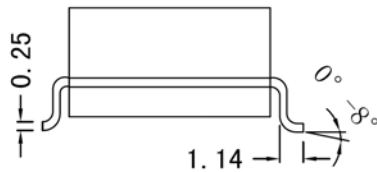
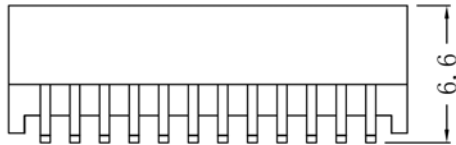
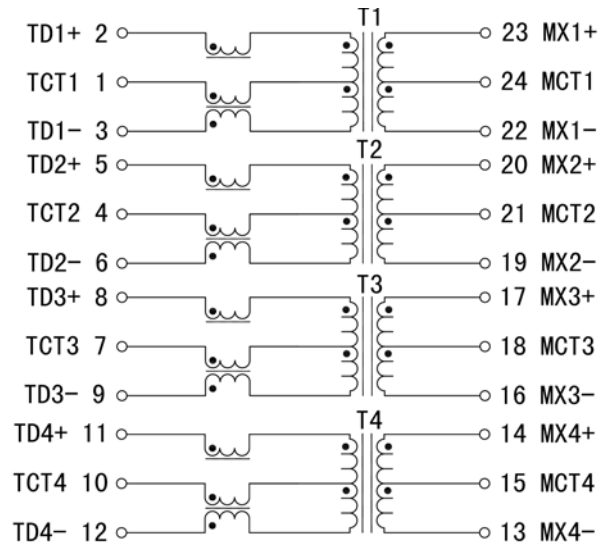


SUGGESTED PAD LAYOUT



SPECIFICATIONS

Insertion Loss:	0.3-1MHz: -1.1	1-65MHz: -0.8
	65-100MHz: -1.0	100-125MHz: -1.2
Return Loss:	0.5-40MHz: -18	
	40-100MHz: -[12-20LOG (f/80MHz)]	
Crosstalk:	0.3-100MHz: -[22-20LOG (f/100MHz)]	
CM to CM REJ:	0.3-100MHz: -30dB Min	
CM to DM REJ:	0.3-100MHz: -35dB Min	
Turn Ratio:	PRI: SEC=1CT:1CT ±2%	
Inductance		
(100KHz/0.1V@11mA):	350uH Min	
Balanced DC Line Current:		
	720mA Max @ 57VDC Continuous	
	1.2A Max @ 57VDC for 200mS	
Hipot:	1500Vrms/0.5mA	
Operating Temp:	0C ~ +70C	



RoHS compliant

Rev.	Description	Date	Approved	Drawing	Name	Date
				Approved	Howard	01/19/11
				Checked	Lizzy	01/19/11
				Drawn	Tina	01/19/11
				0.0 ± 0.35	0.00 ± 0.20	Angles ± 3'
				UNIT: mm		

Central Components Manufacturing
 440 Lincoln Blvd., Middlesex, New Jersey 08846
 Phone 732 469-5720 888 288-5152 Fax 732 469-1919

Part No.: **CTM-6062NL**

Description: 1000 Base-T Magnetic Module, POE