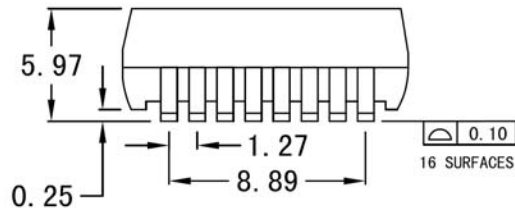


SUGGESTED PAD LAYOUT



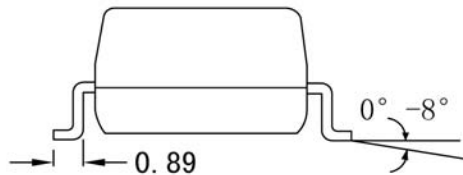
SPECIFICATIONS

Designed to support applications such as SOHO (ADSL modems), Lan-on-Motherboard (LOM), hub and Switches.

Various Turn Ratios.

350uH min OCL with 8Ma bias.

RoHS "NL" peak solder rating 255±5°C



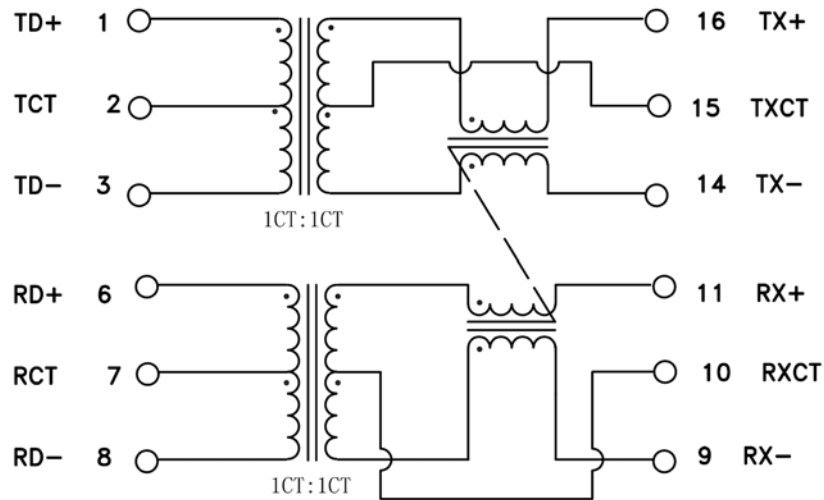
RoHS compliant

Rev.	Description	Date	Approved	Drawing	Name	Date
				Approved	Howard	11/26/00
				Checked	Lizzy	11/26/00
				Drawn	Tina	11/26/00
				0.0 ± 0.35	0.00 ± 0.20	Angles ± 3'
				UNIT: mm		

Central Components Manufacturing
 440 Lincoln Blvd., Middlesex, New Jersey 08846
 Phone 732 469-5720 888 288-5152 Fax 732 469-1919

Part No.: **CTM-2019ALP**

Description: 10/100 Base-TX VoIP Magnetics Module



SPECIFICATIONS

Turn Ratio: TX=1CT:1CT RX=1CT:1CT
 Insertion Loss: 0.1-100MHz:-1.0dB MAX
 Return Loss: 0.1-30MHz:-18dB Min
 30-60MHz:-13dB MIN
 60-80MHz:-12dB MIN
 Crosstalk: 0.1-100MHz:-35dB MIN
 DCMR: 30MHz:-42dB MIN
 60MHz:-36dB MIN
 100MHz: -33dB MIN
 CMRR: 1-100MHz:-40dB TYP
 L: 1-3, 6-8
 350uH MIN 100KHz 0.1V 8mADC
 DCR: 1-3, 6-8: 0.9 OHM MAX
 LK: 1-3 (Tie:16+14):0.5uH MAX 100KHz 0.1V
 6-8 (Tie:11+9):0.5uH MAX 100KHz 0.1V
 Cw/w: (1-3), (16-14) : 28pF MAX 100KHz 0.1V
 (6-8), (11-9): 28pF MAX 100KHz 0.1V
 Isolation Voltage: 1500V
 Operating Temp: -40C ~ +85C

Rev.	Description	Date	Approved	Drawing	Name	Date
				Approved	Howard	11/26/00
				Checked	Lizzy	11/26/00
				Drawn	Tina	11/26/00
				0.0 ± 0.35	0.00 ± 0.20	Angles ± 3'
						UNIT: mm


Central Components Manufacturing
 440 Lincoln Blvd., Middlesex, New Jersey 08846
 Phone 732 469-5720 888 288-5152 Fax 732 469-1919

Part No.: **CTM-2019ALP**

Description: 10/100 Base-TX VoIP Magnetics Module