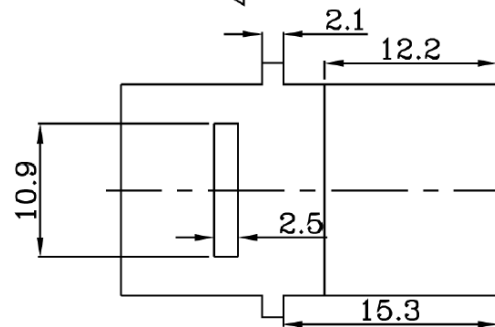
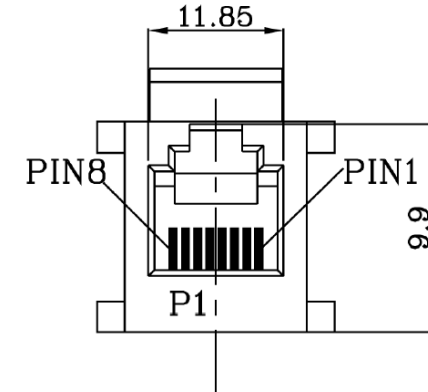
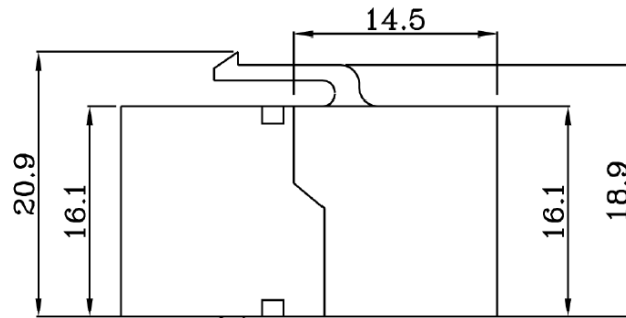
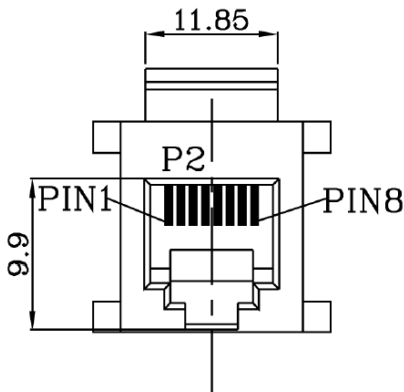
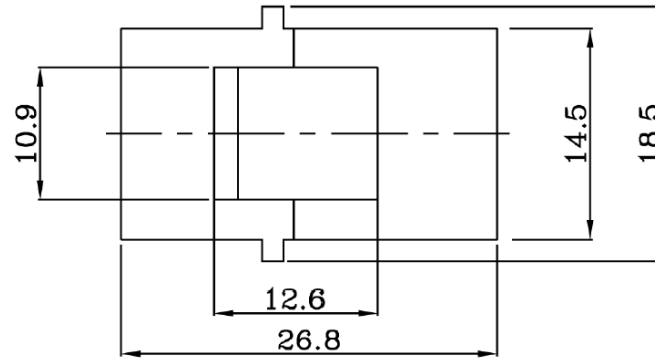


SPECIFICATIONS

Contact plating: Gold 6 μ "
 Housing material: ABS, UL94V-2, black

P1	P2
1	1
2	2
3	3
4	4
5	5
6	6
7	7
8	8



RoHS compliant

Rev.	Description	Date	Approved	Drawing	Name	Date
				Approved	Howard	01/15/04
				Checked	Lizzy	01/15/04
				Drawn	Tina	01/15/04
				0.0 ± 0.35	0.00 ± 0.20	Angles ± 3'
				UNIT: mm		

Central Components Manufacturing
 440 Lincoln Blvd., Middlesex, New Jersey 08846
 Phone 732 469-5720 888 288-5152 Fax 732 469-1919

Part No.: **CTL-CAT-018**

Description: Keystone adapter (UTP), 8P8C