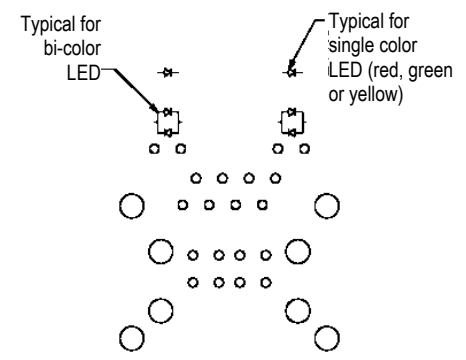


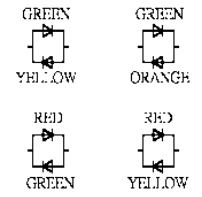
Suggested PC Board Layout

SPECIFICATIONS

Housing material: PBT, UL94V-0, black
 Contact material (RJ45): Phosphor bronze 0.35mm
 Contact plating (RJ45): 50µ" nickel base
 15µ" gold contact area
 100µ" tin tail area
 Contact material (USB): Phosphor bronze 0.25mm
 Contact plating (USB): 50µ" nickel base
 3µ" gold contact area
 100µ" tin tail area



LED Schematic



Bi-color LED detail

RoHS compliant

Rev.	Description	Date	Approved	Drawing	Name	Date
				Approved	Howard	01/30/04
				Checked	Lizzy	01/30/04
				Drawn	Tina	01/30/04
				0.0 ± 0.35	0.00 ± 0.20	Angles ± 3'
				UNIT: mm		

Central Components Manufacturing
 440 Lincoln Blvd., Middlesex, New Jersey 08846
 Phone 732 469-5720 888 288-5152 Fax 732 469-1919

Part No.: **CTJSLUSB-08-8-C122XX-PX-FR02AMR-A**

Description: Stacked RJ45 over USB type A(2)