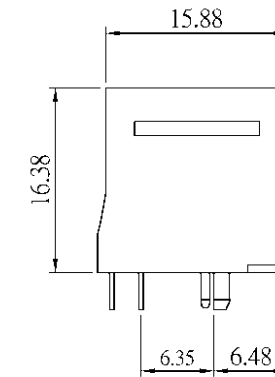
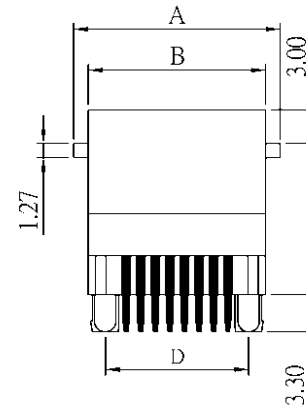
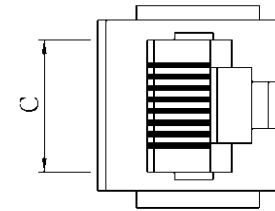
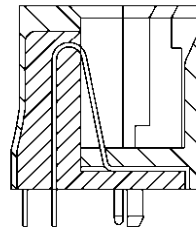


PCB Layout / Top View



KY: With Keyway (8 & 10 Position Only)



WF: No Flange

**SPECIFICATIONS**

Contact material: 0.35 mm phosphor bronze alloy  
 Contact plating: Hard gold in contact area  
 Tin in solder tail area  
 Housing material: PBT with 15% glass fiber, UL94V-0  
 Voltage Rating: 125V  
 Current Rating: 1.5A  
 Contact Resistance: 30 milliohms max.  
 Insulation Resistance: 500 megaohms min.  
 Withstanding: 1000V

**Dimensions**

Pos.	Contacts	A	B	C	D
4	4	13.85	11.43	7.88	7.63
6	2, 4, 6	15.85	13.46	9.88	10.16
8	8, 10	18.05	15.50	11.88	11.43

**RoHS compliant**

Series	Positions	Contacts	Style	Color	Plating	Options
CTJ	X	XX	DS	XX	PX	XX
Modular phone jack	4,6,8,10	2, 4, 6, 8, 10 (See table)	DS style, top entry, Stamped Pin	BK=Black GY=Gray	P1=15μ" gold P2=30μ" gold P3=50μ" gold	[blank]=Flange WF=No flange FS=Full Shield KY=Keyed

Rev.	Description	Date	Approved	Drawing	Name	Date
A	PN	4/24/08	Greg	Approved	Howard	07/11/00
B	Spec	06/08/10	Greg	Checked	Lizzy	07/11/00
				Drawn	Tina	07/11/00
		0.0 ± 0.35	0.00 ± 0.20	Angles ± 3'		
					UNIT: mm	

**Central Components Manufacturing**  
 440 Lincoln Blvd., Middlesex, New Jersey 08846  
 Phone 732 469-5720 888 288-5152 Fax 732 469-1919

Part No.: **CTJ-X-XX-DS-XX-XX**

Description: Modular jack, top entry, style D, Stamped Pin