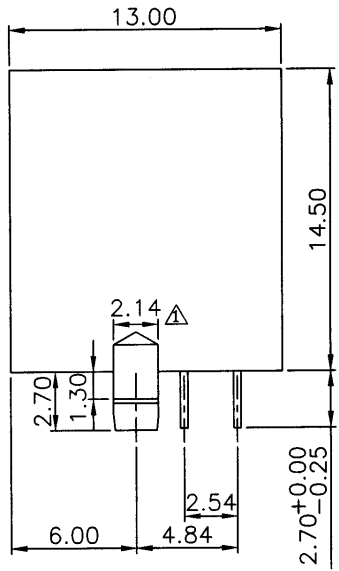


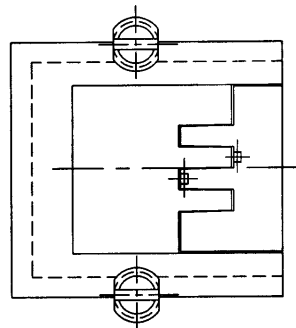
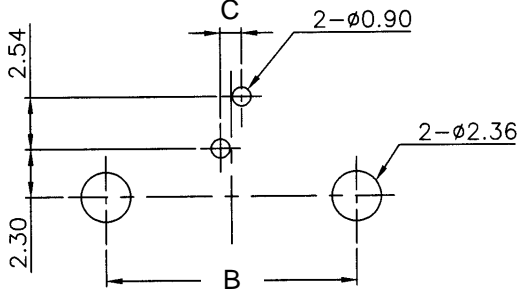
PCB LAYOUT/TOP VIEW



SPECIFICATIONS

Housing material: Thermoplastic, UL94V-0
 Contact material: Phosphor bronze 0.35mm
 Contact plating: Gold over nickel

Pos.	A	B	C
4	10.00	10.00	3.06
6	12.20	12.00	5.10
8	15.00	15.00	7.14
10	15.00	15.00	9.18



Series	Positions	Contacts	Type	Color	Plating
CTJ	XX	X	C	XX	PX
Single mod jack	4, 6, 8, 10	2, 4, 6, 8, 10	Side entry, tab up, split peg	BK=Black GY=Gray	P1=15µ" gold P2=30µ" gold P3=50µ" gold

RoHS compliant

Rev.	Description	Date	Approved	Drawing	Name	Date
A	RoHS	04/04/05	Lizzy	Approved	Howard	08/10/99
				Checked	Lizzy	08/10/99
				Drawn	Tina	08/10/99
				0.0 ± 0.35	0.00 ± 0.20	Angles ± 3'
				UNIT: mm		

Central Components Manufacturing
 440 Lincoln Blvd., Middlesex, New Jersey 08846
 Phone 732 469-5720 888 288-5152 Fax 732 469-1919

Part No.: **CTJ-X-XX-C-BK-PX**

Description: Single port modular telephone jack, type C