

SPECIFICATIONS

- Housing Material: Nylon 66
- Insert Material: RJ Upper Support: Nylon 66 UL94V-0
Contact: Phosphor Bronze
- Contact Pin Material: RJ Upper Support: Nylon 66 UL94V-0
Contact: SUS430
- Shielding Material: Material: Brass, C2680R-H
Material: Stainless, SUS
- USB: Housing: Thermoplastic UL94V-0, Black
Contact: Copper Alloy (t=0.25mm)
Shell: Copper Alloy (t=0.30mm)
- Environmental: Solder Tail Pin Plated Contact Area 1u" Gold Plated
Storage Temp: -40C to +85C
Operating Temp: 0C to +70C

Series	Positions	Contacts	Style	Color	Plating	Options
CTJ-A2	X	XX	45FXXLYY	BK	PX	FS
Mod jack with 2 USB type A	8,10 positions	8,10 Contacts	RJ45 XX=Circuit (see chart) YY=LEDS G=Green, Y=Yellow W=Yellow/Green, L=Orange / Yellow N= Green Green	BK=Black	P0=6u" P1=15u" P2=30u" P3=50u"	FS=Full Shield

RoHS compliant

Rev.	Description	Date	Approved	Drawing	Name	Date
				Approved	Howard	05/12/05
				Checked	Lizzy	05/12/05
				Drawn	Tina	05/12/05
				0.0 ± 0.35	0.00 ± 0.20	Angles ± 3'
				UNIT: mm		

Central Components Manufacturing
 440 Lincoln Blvd., Middlesex, New Jersey 08846
 Phone 732 469-5720 888 288-5152 Fax 732 469-1919

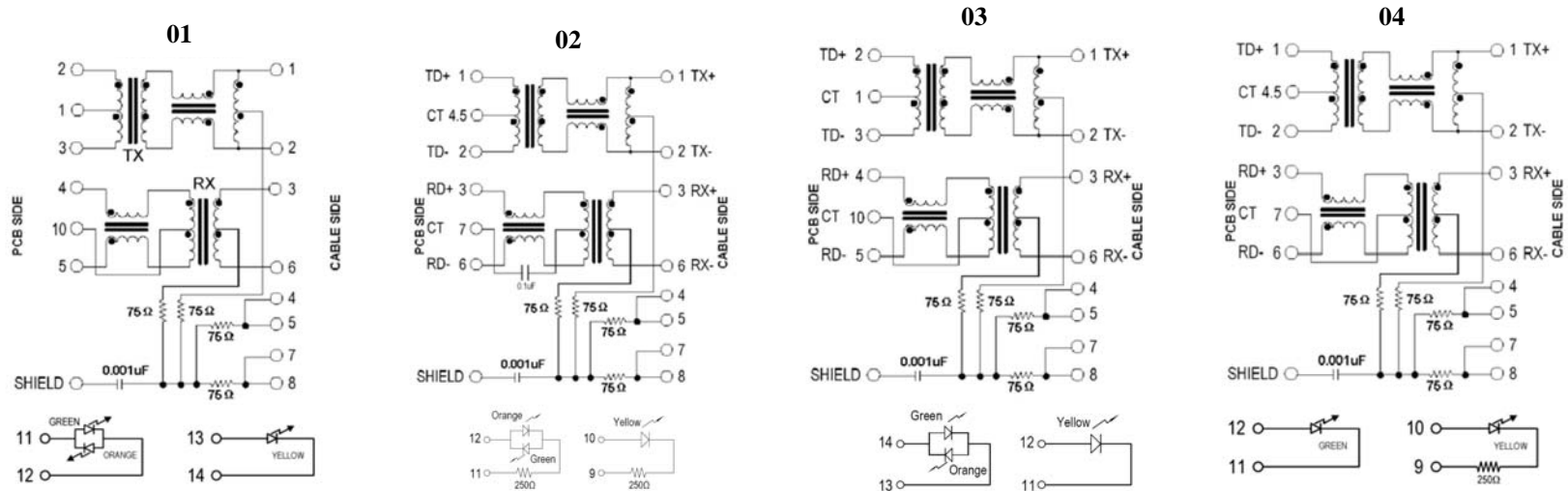
Part No.: **CTJ-X-XX-45FXXLYY-BK-PX-FS**

Description: Modular Jack, Magnetic Filtered, RJ45

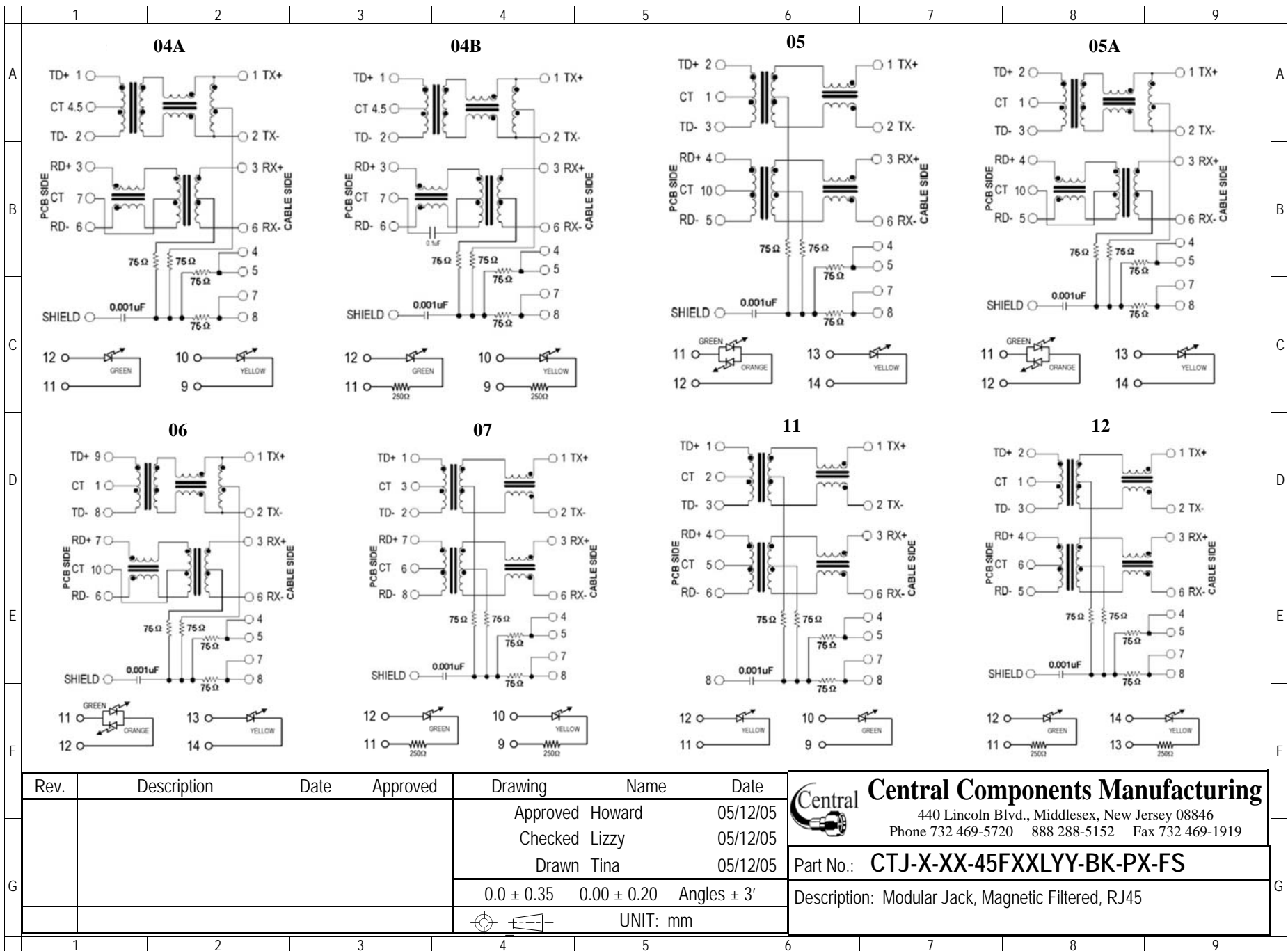
ELECTRICAL SPECIFICATIONS @25°C -Operating temperature 0°C TO 70°C

Part Number	Data Rate	Turns Ratio		LEDs	Insertion Loss (dB MAX)	Return Loss (dB MIN) 100Ω ±15Ω			Crosstalk (dB TYP)			Common Mode Rejection (dB TYP)		Hipot (Vrms) @60Hz
		TX	RX	L/R		1-100 MHz	1-30 MHz	30-60 MHz	60-80 MHz	1-10 MHz	32-60 MHz	60-100 MHz	1-50 MHz	
08-02	10/100	1CT:1	1CT:1CT	G-O/Y	-1.0	-18	-16	-12	-40	-35	-30	-30	-20	1500
08-03	10/100	1CT:1	1CT:1CT	Y/G-O	-1.0	-18	-16	-12	-35	-35	-35	-30	-30	1500
08-04	10/100	1CT:1	1CT:1CT	G/Y	-1.0	-20	-14	-12	-35	-35	--	-30	-30	1500
10-01	10/100/1000	1CT:1	1CT:1	G-O/Y	-1.0	-18	-16	-12	-35	-35	-35	-30	-30	1500
10-02	10/100/1000	1CT:1	1CT:1	G/G-O	-1.0	-18	-16	-12	-40	-40	-35	-30	-25	1500
10-03	10/100/1000	1CT:1CT	1CT:1CT	G/G-O	-1.0	-18	-16	-12	-40	-35	-30	-30	-20	1500

SCHEMATICS (8 POS)



Rev.	Description	Date	Approved	Drawing	Name	Date	Central Components Manufacturing 440 Lincoln Blvd., Middlesex, New Jersey 08846 Phone 732 469-5720 888 288-5152 Fax 732 469-1919 Part No.: CTJ-X-XX-45FXXLYY-BK-PX-FS Description: Modular Jack, Magnetic Filtered, RJ45
				Approved	Howard	05/12/05	
				Checked	Lizzy	05/12/05	
				Drawn	Tina	05/12/05	
				0.0 ± 0.35 0.00 ± 0.20 Angles ± 3'			
				UNIT: mm			

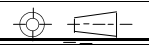


Rev.	Description	Date	Approved	Drawing	Name	Date
				Approved	Howard	05/12/05
				Checked	Lizzy	05/12/05
				Drawn	Tina	05/12/05
				0.0 ± 0.35	0.00 ± 0.20	Angles ± 3'
				UNIT: mm		

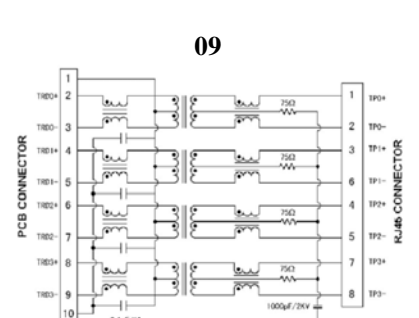
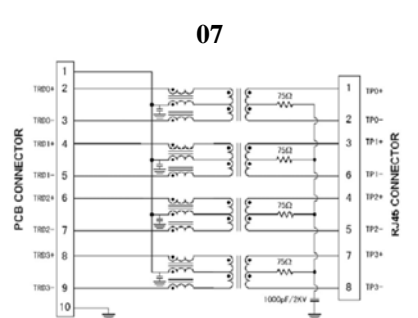
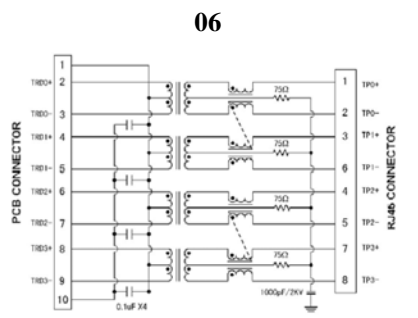
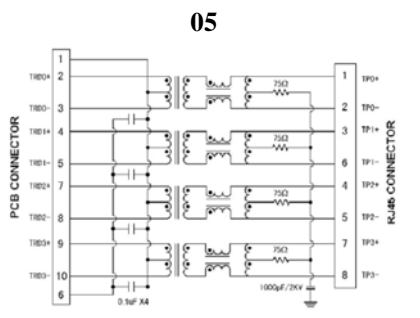
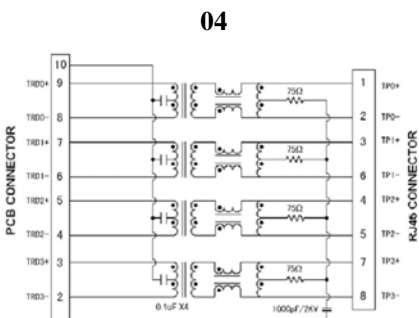
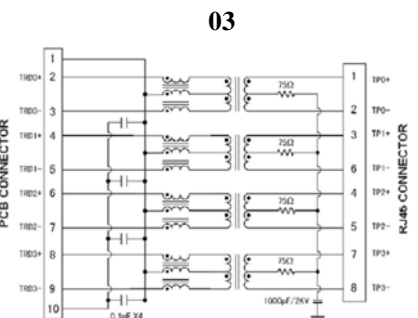
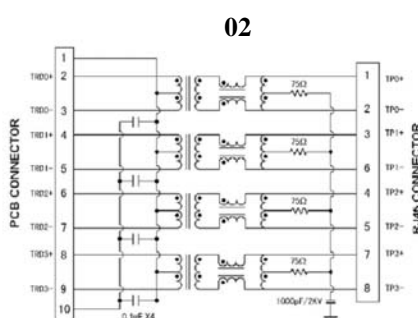
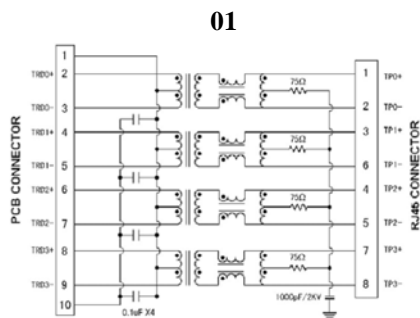
Central Components Manufacturing
 440 Lincoln Blvd., Middlesex, New Jersey 08846
 Phone 732 469-5720 888 288-5152 Fax 732 469-1919

Part No.: **CTJ-X-XX-45FXXLYY-BK-PX-FS**

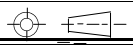
Description: Modular Jack, Magnetic Filtered, RJ45



SCHEMATICS (10 POS)



Rev.	Description	Date	Approved	Drawing	Name	Date
				Approved	Howard	05/12/05
				Checked	Lizzy	05/12/05
				Drawn	Tina	05/12/05
				0.0 ± 0.35	0.00 ± 0.20	Angles ± 3'
				UNIT: mm		



Central Components Manufacturing
 440 Lincoln Blvd., Middlesex, New Jersey 08846
 Phone 732 469-5720 888 288-5152 Fax 732 469-1919

Part No.: **CTJ-X-XX-45FXXLYY-BK-PX-FS**

Description: Modular Jack, Magnetic Filtered, RJ45