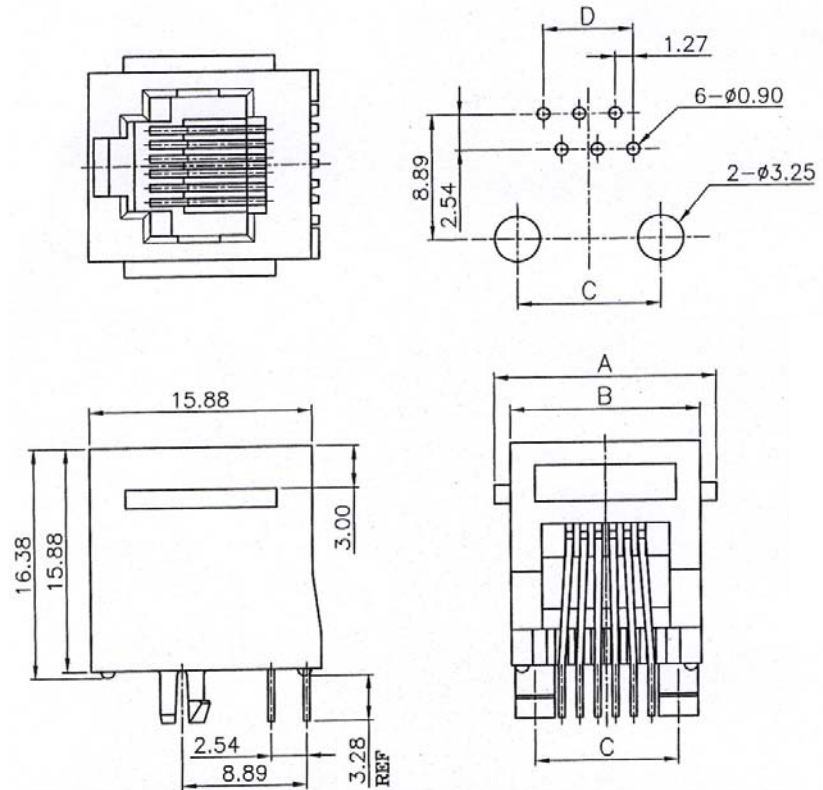


SPECIFICATIONS

Plastic Housing: Thermoplastic UL04V-0
 Contacts: 0.35mm Phosphor Bronze
 Plating: Gold over Nickel in contact.
 Tin over Nickel in Solder.

PCB Layout / Top View



RoHS compliant

Dimensions					
Pos.	Contacts	A	B	C	D
4	4	13.97	11.43	7.62	3.81
6	2,4,6	15.75	13.46	10.16	6.35
8	8	17.76	15.35	11.43	8.89

Series	Position	Contacts	Style	Color	Plating	Options
CTJ	X	XX	3002	BK	PX	XX
Modular phone jack	4,6,8	2,4,6,8 (see table)	Round Pin	BK=Black	P0=6u" gold P1=15u" gold P2=30u" gold P3=50u" gold	[blank]=flange WF=No flange FS=Full shield

Rev.	Description	Date	Approved	Drawing	Name	Date
				Approved	Howard	02/13/93
				Checked	Lizzy	02/13/93
				Drawn	Tina	02/13/93
				0.0 ± 0.35	0.00 ± 0.20	Angles ± 3'
				UNIT: mm		

Central Components Manufacturing
 440 Lincoln Blvd., Middlesex, New Jersey 08846
 Phone 732 469-5720 888 288-5152 Fax 732 469-1919

Part No.: **CTJ-X-XX-3002-BK-XX**

Description: Top Entry PCB Jack 8P8C