

**SPECIFICATIONS**  
 Housing: Thermoplastic  
 Contact/Shield: Copper Alloy  
 Shield Plating: Nickel  
 Contact Plating: Gold 6 micro-inches min.  
 Wave Solder Tip: 265°C Max @ 5 Sec Max

LED Color Codes	
Code	LED
R	Red
G	Green
Y	Yellow
O	Orange
A	Amber
D	Red/Green
E	Red/Yellow
W	Yellow/Green
P	Orange/Green
K	Blank

Panel Grounds (X)	
Blank	None
1,2	Top
4	Sides
6	Both

Series	Positions	Contacts	Style	LED	Color	Plating	Options
CTJ	8	08	ML3011	LXX	BK	PX	FSX
Modular jack, single position	8 Pos.	8 Contacts	Mag Jack See Drawing	L=LEDs XX=Left/Right (see chart)	BK=Black GY=Gray	P0=6μ" P1=15μ" P2=30μ" P3=50μ"	Blank=None FSX=Full shield (see chart)

RoHS compliant

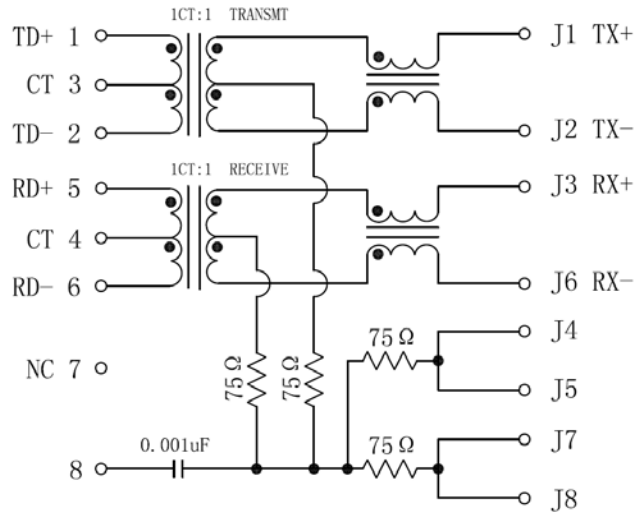
Rev.	Description	Date	Approved	Drawing	Name	Date
				Approved	Howard	07/16/10
				Checked	Lizzy	07/16/10
				Drawn	Tina	07/16/10
				0.0 ± 0.35	0.00 ± 0.20	Angles ± 3'
				UNIT: mm		

**Central Components Manufacturing**  
 440 Lincoln Blvd., Middlesex, New Jersey 08846  
 Phone 732 469-5720 888 288-5152 Fax 732 469-1919

Part No.: **CTJ-8-08-ML3011LGY-BK-PX-FS6-SM**

Description: Surface mount tab up RJ45 modular jack with 10/100 Integrated magnetic, Type ML3011

PCB SIDE TO PHY



CABLE

**ELECTRICAL SPECIFICATIONS**

Turns Ratio ( $\pm 2\%$ ):  
 TX=1CT:1CT      RX=1CT:1CT

OCL: 350uH Min  
 @100KHz, 100mV, 8mA bias current

Insertion Loss:  
 1-65MHz: -1.0dB Max

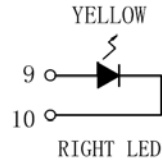
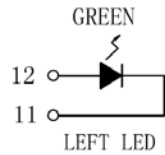
Return Loss (dB Min @100Ω ± 15Ω):  
 1-10MHz: -20      30MHz: -16      60-80MHz: -12

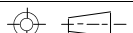
Crosstalk (dB Min):  
 1-10MHz: -40      30-60MHz: -35      60-100MHz: -30

Common Mode Rejection (dB Min):  
 1-50MHz: -30      50-130MHz: -20

Isolation Voltage:  
 1500Vrms Min

Operating Temperature:  
 0C ~70C



Rev.	Description	Date	Approved	Drawing	Name	Date
				Approved	Howard	07/16/10
				Checked	Lizzy	07/16/10
				Drawn	Tina	07/16/10
				0.0 ± 0.35	0.00 ± 0.20	Angles ± 3'
				 UNIT: mm		

**Central Components Manufacturing**  
 440 Lincoln Blvd., Middlesex, New Jersey 08846  
 Phone 732 469-5720 888 288-5152 Fax 732 469-1919

Part No.: **CTJ-8-08-ML3011LGY-BK-PX-FS6-SM**

Description: Surface mount tab up RJ45 modular jack with 10/100 Integrated magnetic, Type ML3011

