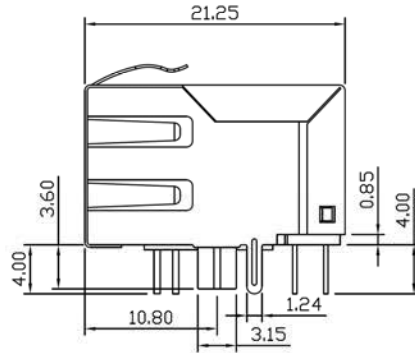
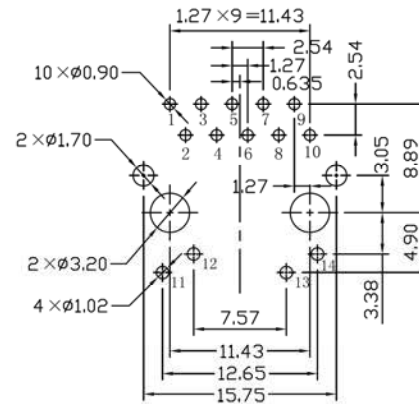


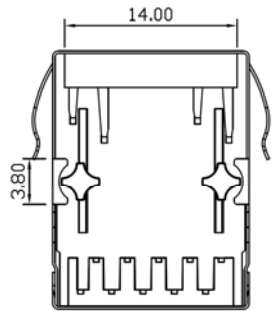
Front Side View



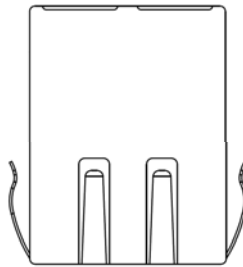
Left Side View



Suggested PCB Layout (Top View)



Bottom Side View



Top Side View

SPECIFICATIONS

Housing: Thermoplastic
 Contacts: Phos Bronze
 Pins: Brass
 Shield: SUS 201-1/2H
 Contact Plating: Gold
 Solder Tip Temp: 265C Max @ 5 Sec Max

| LED Color Codes | |
|-----------------|--------------|
| Code | LED |
| R | Red |
| G | Green |
| Y | Yellow |
| O | Orange |
| A | Amber |
| D | Red/Green |
| E | Red/Yellow |
| W | Yellow/Green |
| P | Orange/Green |
| K | Blank |

| Panel Grounds (X) | |
|-------------------|-------|
| Blank | None |
| 1,2 | Top |
| 4 | Sides |
| 6 | Both |

| Series | Positions | Contacts | Body Style | LED | Color | Plating | Options |
|-------------------------------|-----------|----------|------------|-------------------------------------|---------------------|-------------------------------|---|
| CTJ | 8 | 08 | 090472 | LPY | XX | PX | FS6 |
| Modular jack, single position | 4-10 | 2-10 | See Dwg | L=LEDs XX=Left/Right (see chart) | BK=Black GY=Gray | P1=15µ" P2=30µ" P3=50µ" | Blank=None FSX=Full shield (see chart) |

RoHS compliant

| Rev. | Description | Date | Approved | Drawing | Name | Date |
|------|-------------|------|----------|------------|-------------|-------------|
| | | | | Approved | Howard | 7/16/10 |
| | | | | Checked | Lizzy | 7/16/10 |
| | | | | Drawn | Tina | 7/16/10 |
| | | | | 0.0 ± 0.35 | 0.00 ± 0.20 | Angles ± 3' |
| | | | | UNIT: mm | | |

Central Components Manufacturing
 440 Lincoln Blvd., Middlesex, New Jersey 08846
 Phone 732 469-5720 888 288-5152 Fax 732 469-1919

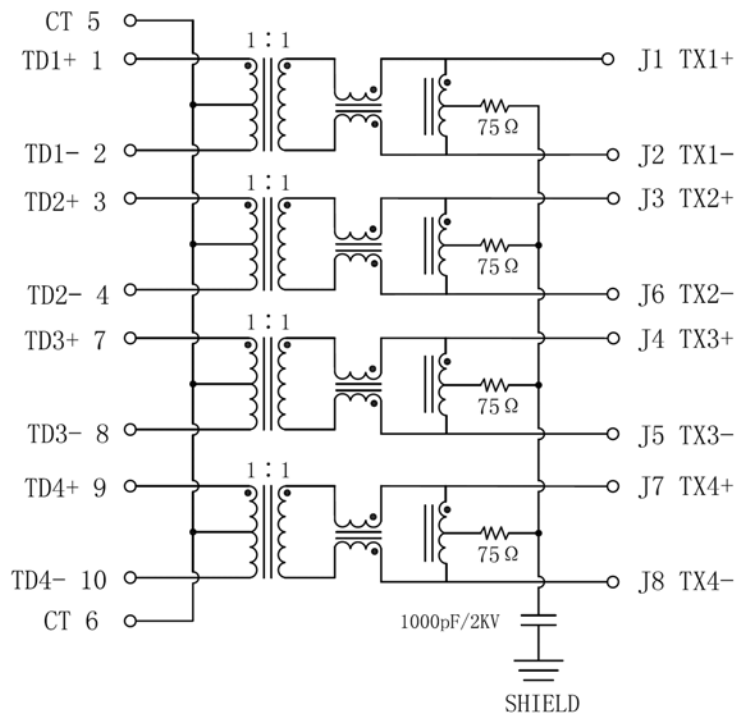
Part No.: **CTJ-8-08-090472LPY-BK-P1-FS6**

Description: RJ45 Connector with 1000 Base-T Integrated Magnetics

G

G

PCB CONNECTIONS



RJ45 CONNECTOR

ELECTRICAL SPECIFICATIONS

Turns Ratio:
1CT : 1

Inductance(@100KHz, 100mV, 8mA DC Bias):
J1-J2 ; J3-J6 ; J4-J5 ; J7-J8: 350uH Min

Insertion Loss:
1~100MHz: -1.0dB Max

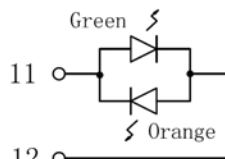
Return Loss (dB Min. load 100Ω):
1~30MHz: -18 30~60MHz: -16
60~80MHz: -12 80~100MHz: -10

Crosstalk:
1~100MHz: -30dB Min

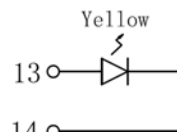
Common Mode Rejection:
1~100MHz: -30dB Min

Isolation Voltage: 1500Vrms

Operating Temp: 0°C ~ 70°C



LEFT LED



RIGHT LED

| Rev. | Description | Date | Approved | Drawing | Name | Date |
|------|-------------|------|----------|------------|-------------|-------------|
| | | | | Approved | Howard | 7/16/10 |
| | | | | Checked | Lizzy | 7/16/10 |
| | | | | Drawn | Tina | 7/16/10 |
| | | | | 0.0 ± 0.35 | 0.00 ± 0.20 | Angles ± 3' |
| | | | | UNIT: mm | | |

Central Components Manufacturing
 440 Lincoln Blvd., Middlesex, New Jersey 08846
 Phone 732 469-5720 888 288-5152 Fax 732 469-1919

Part No.: **CTJ-8-08-090472LPY-BK-P1-FS6**

Description: RJ45 Connector with 1000 Base-T Integrated Magnetics