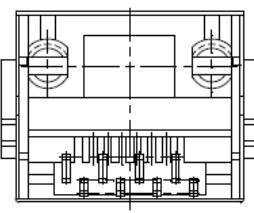
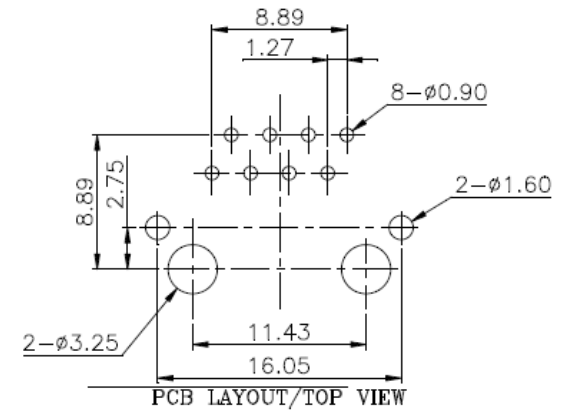
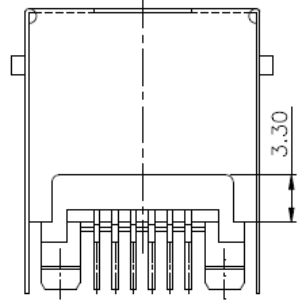
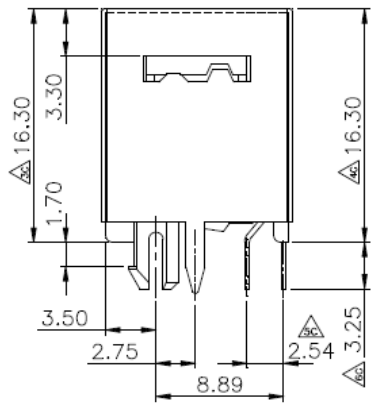
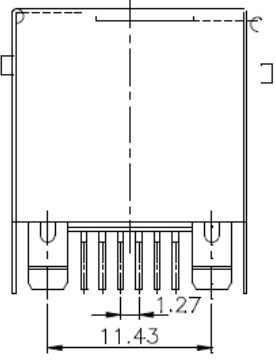


SPECIFICATIONS
 Plastic Housing: Engineering Thermoplastic UI94V-0
 Contacts: Phosphor Bronze
 Plating: Gold Plating over Nickel in Contact
 Tin Plating over Nickel in Solder Area
 Shield: Brass with Nickel Plated



| Series | Positions | Contacts | Body Style | Color | Plating | Options |
|-------------------------------|-----------|----------|-------------|----------|---|----------------|
| CTJ | X | XX | 3170 | BK | PX | FS |
| Modular jack, single position | 4-10 | 2-10 | See Drawing | BK=Black | P0=6μ" P1=15μ" P2=30μ" P3=50μ" | FS=Full Shield |

RoHS compliant

| Rev. | Description | Date | Approved | Drawing | Name | Date |
|------|-------------|------|----------|------------|-------------|-------------|
| | | | | Approved | Howard | 06/08/15 |
| | | | | Checked | Lizzy | 06/08/15 |
| | | | | Drawn | Tina | 06/08/15 |
| | | | | 0.0 ± 0.35 | 0.00 ± 0.20 | Angles ± 3' |
| | | | | UNIT: mm | | |

Central Components Manufacturing
 440 Lincoln Blvd., Middlesex, New Jersey 08846
 Phone 732 469-5720 888 288-5152 Fax 732 469-1919

Part No.: **CTJ-6-06-3170-BK-P0-FS**

Description: Top Entry Modular Jack 8P8C