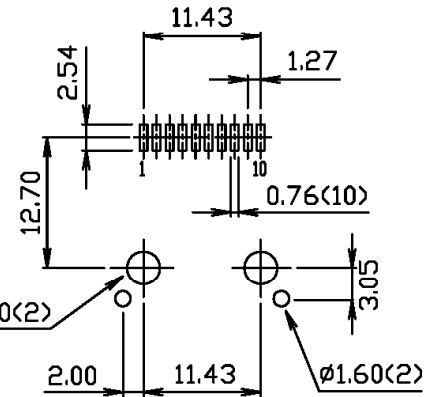
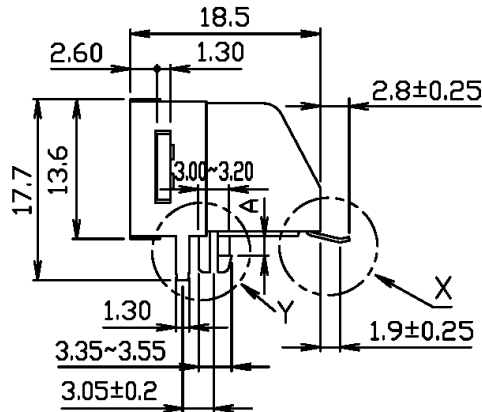
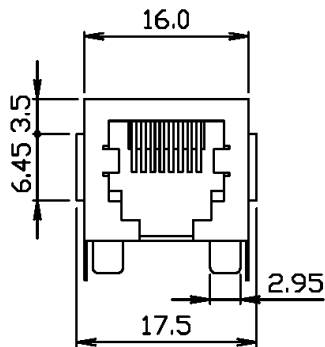
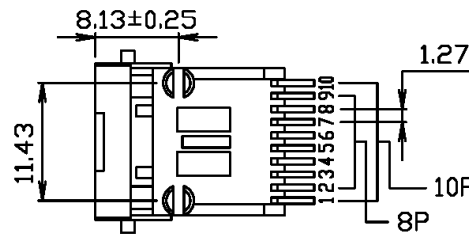


DETAIL Y



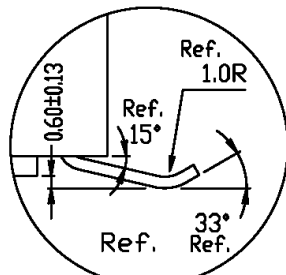
PC Board Layout Ref.



SPECIFICATIONS

Contact material: Phosphor bronze 0.35mm
 Contact plating: Gold contact, gold flash on solder tail
 Housing material: DSM Stanyl TE250F6 (Nylon46), UL 94V-0
 Shield material: Copper alloy 0.25mm
 Shield plating: Nickel

Cavity conforms to FCC rules and regulations Part 68, Subpart F



DETAIL X

RoHS compliant

Series	Positions	Contacts	Body Style	Color	Plating	Options
CTJ	X	XX	A	BK	XX	XX
Modular jack	8=8 positions 10=10 positions	08=8 contacts 10=10 contacts	AM250 body style	BK=Black	P1=15µ" gold P2=30µ" gold P3=50µ" gold	[blank]=None WF=Without Flange MS=Shielded face SM=Surface mount

Rev.	Description	Date	Approved	Drawing	Name	Date
				Approved	Howard	05/04/07
				Checked	Lizzy	05/04/07
				Drawn	Tina	05/04/07
				0.0 ± 0.35	0.00 ± 0.20	Angles ± 3'
				UNIT: mm		

Central Components Manufacturing
 440 Lincoln Blvd., Middlesex, New Jersey 08846
 Phone 732 469-5720 888 288-5152 Fax 732 469-1919

Part No.: **CTJ-10-10-A-BK-XX-MS-SM**

Description: Modular jack, 10 and 8 positions, shielded, SMT type, low-profile, side entry