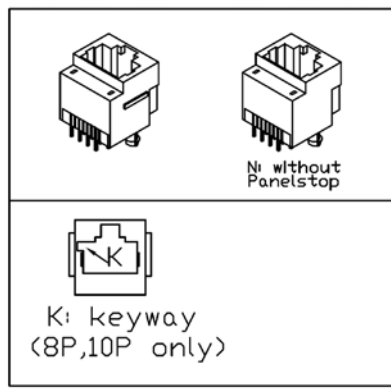
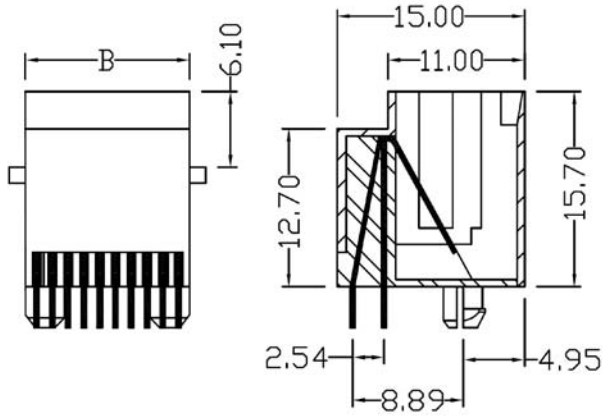


PCB LAYOUT / TOP VIEW

SPECIFICATIONS

Voltage Rating: 125V
 Current Rating: 1.5A
 Contact Resistance: 30 Milliohms Max.
 Insulation Resistance: 500 Megaohms Min.
 Housing Material: PBT UL94V-0, Black
 Contact Material: Phosphor Bronze
 Contact Plating: Gold Plating over Nickel
 On Contact Area, Tin over Nickel on Solder Area
 Withstanding: 1000V
 Durability: 750 cycles min.
 Temperature: -40°C to +80°C



Dimensions					
Positions	Contacts	A	B	C	D
6	2,4,6	17.70	15.20	10.00	11.43
8	8	17.70	15.20	11.80	11.43
10	10	17.70	15.20	11.80	11.43

Series	Positions	Type	Color	Plating	Options
CTJ	X	953	XX	PX	XX
Modular Jack Single Position	6,8,10	Vertical Through Hole	BK=Black	P0=6u" P1=15u" P2=30u" P3=50u"	Blank=None WF=No Flange KY=Keyed

RoHS compliant

Rev.	Description	Date	Approved	Drawing	Name	Date
				Approved	Howard	10/05/06
				Checked	Lizzy	10/05/06
				Drawn	Tina	10/05/06
				0.0 ± 0.35	0.00 ± 0.20	Angles ± 3'
				UNIT: mm		

Central Components Manufacturing
 440 Lincoln Blvd., Middlesex, New Jersey 08846
 Phone 732 469-5720 888 288-5152 Fax 732 469-1919

Part No.: **CTJ-10-10-953-BK-PX-XX**

Description: Modular Jack 953 8P Top Entry