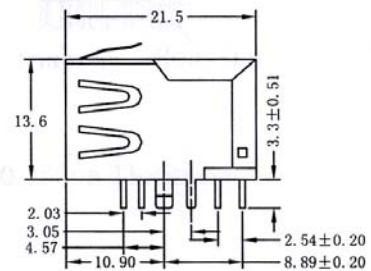
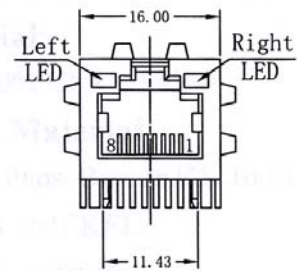
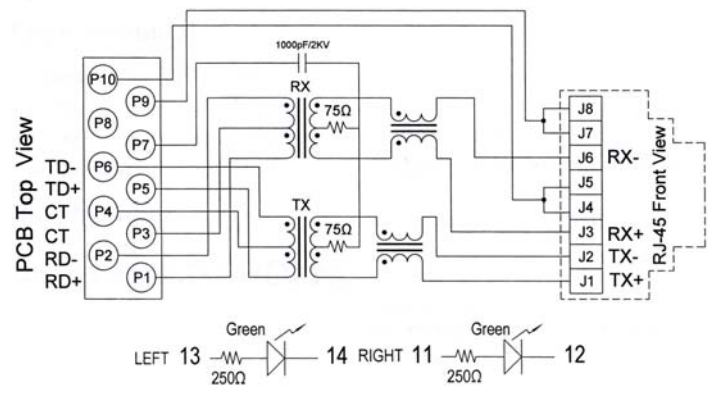


PC Board Layout
Component Side Shown



UNIT:mm Unless otherwise specified, all tolerances are ±0.25



SPECIFICATIONS

- Contact Material: Phosphor Bronze
- Contact Plating: Nickel or 100% Tin
- Housing Material: Nylon +25% GF (Fr50) UL94V-0, Black
- Shield Material: Brass
- Operating Temperature: -40°C TO +85°C
- Turn ratio: 1CT:1CT
- Insertion loss: -1.1dB (0.5-100MHz)
- Return loss: -18dB (0.5-30MHz), -18+20LOG(f/30)dB (30-60MHz), -12dB (60-80MHz)
- Cross talk: -35dB (0.5-40MHz), -33+20LOG(f/50)dB (40-100MHz)
- Common mode reject.: -30dB (0.5-100MHz)
- OCL: 320uH MIN.
- Hipot test: 1500Vrms/0.5mA/60Sec or 1650Vrms/0.5mA/2Sec.

| Series | Positions | Contacts | Body Style | LED | Color | Plating | Options | Panel Grounds |
|--------------|--------------|-------------|-----------------|---|----------|--|--------------------------------|---|
| CTJ | 10 | 10 | 46F1334GR | GR | BK | PX | XX | PGX |
| Modular jack | 10 positions | 10 contacts | 46F1334GR style | G=Green LED (left) R=Red LED (right) | BK=Black | P1=15µ" gold P2=30µ" gold P3=50µ" gold | [blank]=None FS=Full shield | 1=Top (single) 2=Top 4=Sides 6=Top & sides |

RoHS compliant

| Rev. | Description | Date | Approved | Drawing | Name | Date |
|------|-------------|------|----------|------------|-------------|-------------|
| | | | | Approved | Howard | 10/22/03 |
| | | | | Checked | Lizzy | 10/22/03 |
| | | | | Drawn | Tina | 10/22/03 |
| | | | | 0.0 ± 0.35 | 0.00 ± 0.20 | Angles ± 3' |
| | | | | | | UNIT: mm |

Central Components Manufacturing
 440 Lincoln Blvd., Middlesex, New Jersey 08846
 Phone 732 469-5720 888 288-5152 Fax 732 469-1919

Part No.: **CTJ-10-10-46F1334GR-BK-P1-FS-PG6**

Description: 10/100 Base-T Single Port Rj-45 Jack Magnetics Preliminary Specification Sheet