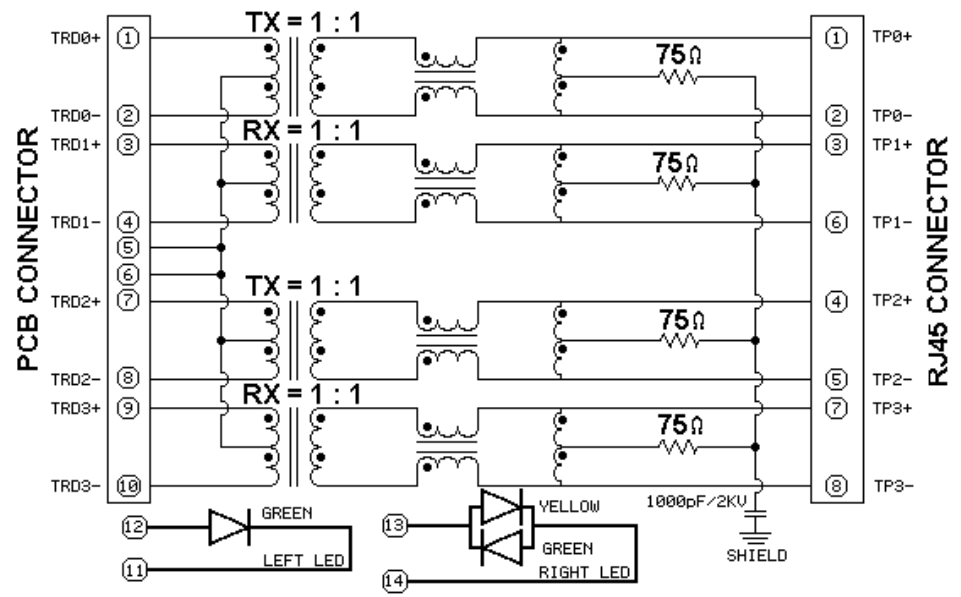


SPECIFICATIONS

Contact material: Phosphor bronze
 Contact plating: Gold 6µ" over nickel on contact area
 Tin 150µ" min. over nickel on solder tail

Housing material: PBT + 30% glass fill, UL 94V-0
 Shield material: Copper alloy 0.25mm
 Shield plating: Nickel 20µ" min.
 Temperature range: 0°C to +70°C

RoHS compliant



Turn ratio: Tx 1:1; Rx 1:1
 Insertion loss: -0.5 1-60MHz; -0.1dB 0.1 -100 MHz; -1.2dB 100-125MHz
 Return loss: -16dB 1-30 MHz; -13.5dB 30-40MHz; -11.5dB 40-50MHz; -10dB 530-80MHz
 Cross talk: -40dB 1-30MHz; -34dB 30-60MHz; -30dB 60-100MHz
 Common mode reject.: -30dB 1-100MHz
 OCL: 350uH min. at 100KHz/0.1V 8mA DC
 Hipot test: 1,500 VRMS/0.5mA/2sec. primary to secondary
 2,000 VDC/0.5mA/2sec. RJ45 to shield

Rev.	Description	Date	Approved	Drawing	Name	Date
				Approved	Howard	02/10/04
				Checked	Lizzy	02/10/04
				Drawn	Tina	02/10/04
				0.0 ± 0.35	0.00 ± 0.20	Angles ± 3'
				UNIT: mm		

Central Components Manufacturing
 440 Lincoln Blvd., Middlesex, New Jersey 08846
 Phone 732 469-5720 888 288-5152 Fax 732 469-1919

Part No.: **CTJ-10-10-46F1304GW-BK-P1-FS-PG6**

Description: Modular jack with magnetics for 1 gig