


RECOMMENDED P.C. BOARD PATTERN (COMP. SIDE)

- SPECIFICATIONS**
- Housing: Polyester, Black UL94V-0
 - Contacts: Phosphor Bronze 30uin Au plating over Ni
 - Leads: Pure Sn over Ni finish
 - Shield: Cu Alloy with Ni Plating
 - Durability: 1000 mating cycles

RECOMMENDED PANEL CUT

RoHS compliant

Rev.	Description	Date	Approved	Drawing	Name	Date
				Approved	Howard	08/10/99
				Checked	Lizzy	08/10/99
				Drawn	Tina	08/10/99
				0.0 ± 0.35	0.00 ± 0.20	Angles ± 3'
				UNIT: mm		



Central Components Manufacturing
440 Lincoln Blvd., Middlesex, New Jersey 08846
Phone 732 469-5720 888 288-5152 Fax 732 469-1919

Part No.: **CTJ-10-10-1G20C3-L55RL**

Description: Fastjack 1.3 Inch

1 2 3 4 5 6 7 8 9

A

B

C

D

E

F

G

A

B

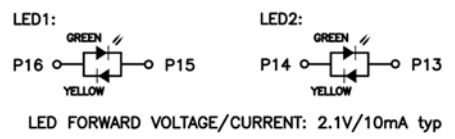
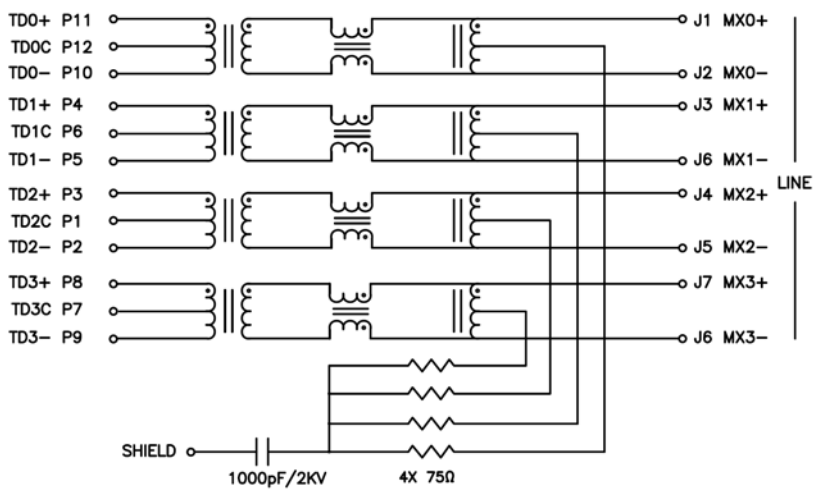
C

D

E

F

G



SPECIFICATIONS

Turn Ratio: 1:1 ±3%
 OCL: 350uH min
 Insertion Loss: 1-100MHz= -1.1dB max
 Return Loss: 1-40MHz=-18dB min
 60MHz=-14dB min
 80MHz=-12dB min
 100MHz=-10dB min
 Crosstalk: -35dB typ
 CMR: 01-30MHz=-50dB typ
 30-60MHz=-40dB typ
 60-100MHz=-35dB typ
 Isolation: 1500Vrms

Rev.	Description	Date	Approved	Drawing	Name	Date
				Approved	Howard	08/10/99
				Checked	Lizzy	08/10/99
				Drawn	Tina	08/10/99
				0.0 ± 0.35	0.00 ± 0.20	Angles ± 3'
					UNIT: mm	
						Central Components Manufacturing 440 Lincoln Blvd., Middlesex, New Jersey 08846 Phone 732 469-5720 888 288-5152 Fax 732 469-1919
						Part No.: CTJ-10-10-1G20C3-L55RL Description: Fastjack 1.3 Inch

1 2 3 4 5 6 7 8 9