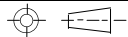


SUGGESTED PCB LAYOUT (TOP VIEW)

SPECIFICATIONS

Housing:	Thermoplastic UL94V-0
Contact/Shield:	Copper Alloy
Shield Plating:	Nickel
Contact Plating:	Gold
Processing temp.:	260°C @ 5 Sec Max

RoHS compliant

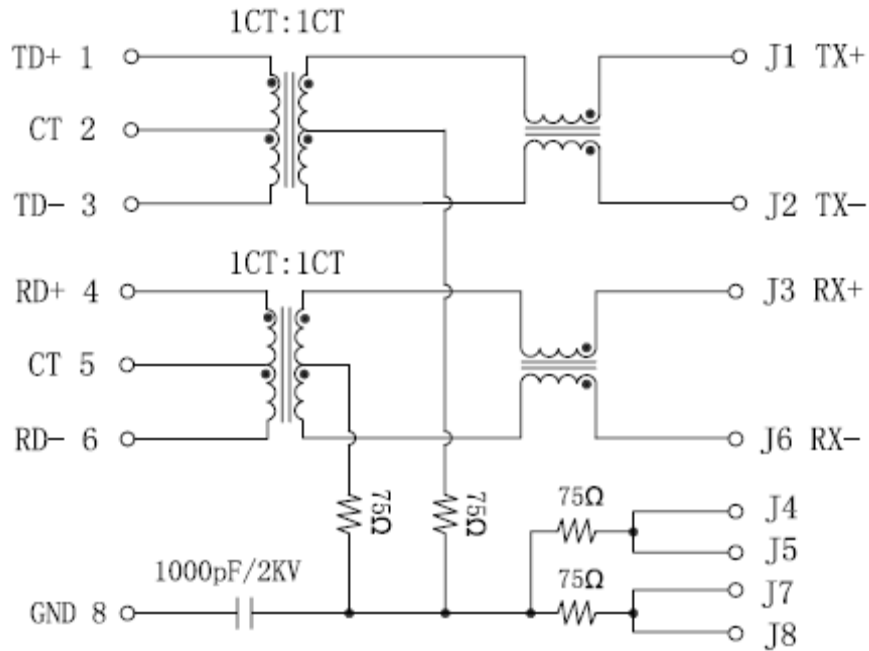
Rev.	Description	Date	Approved	Drawing	Name	Date
				Approved	Howard	12/21/10
				Checked	Lizzy	12/21/10
				Drawn	Tina	12/21/10
				0.0 ± 0.35	0.00 ± 0.20	Angles ± 3'
				 UNIT: mm		


Central Components Manufacturing
 440 Lincoln Blvd., Middlesex, New Jersey 08846
 Phone 732 469-5720 888 288-5152 Fax 732 469-1919

Part No.: **CTJ-10-08-M6014LGY-BK-FS6**

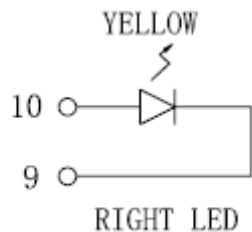
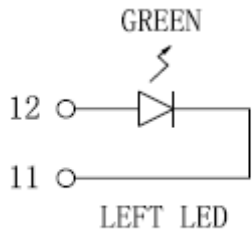
Description: RJ45 Connector with 10/100 Base-T Magnetics

PC BOARD CONNECTIONS



ELECTRICAL SPECIFICATIONS

Turns Ratio: TX=1CT:1 RX=1CT:1
 OCL: 350uH Min@100KHz, 100mV, 8mA DC Bias
 Insertion Loss: 1.0 db max. @ 1-65MHz
 Return Loss (dB Min): -20 @ 1 - 10MHz
 -16 @ 10 - 30MHz
 -12 @ 30 - 60MHz
 -10 @ 60 - 100MHz
 Crosstalk (dB Min): -40 @ 1 - 30MHz
 -35 @ 30 - 60MHz
 -30 @ 60 - 100MHz
 CMR(dB Min): -30 @ 1 - 50MHz
 -50 @ 1 - 150MHz
 Hipot: 1500VRMS @60Hz 1 Min
 Operating Temp: -40°C-+85°C



Series	Positions	Contacts	Body Style	Color	Plating	Options
CTJ	X	XX	M6014LG Y	BK	PX	XX
Modular telephone jack	8, 10	02, 04, 06, 08, 10	Mag. Jack Style 3012 With LEDs	BK=Black	P0=6μ" gold P1=15μ" gold P2=30μ" gold P3=50μ" gold	[blank]=None FS6=Full shield with panel grounds

Rev.	Description	Date	Approved	Drawing	Name	Date
				Approved	Howard	12/21/10
				Checked	Lizzy	12/21/10
				Drawn	Tina	12/21/10
				0.0 ± 0.35	0.00 ± 0.20	Angles ± 3'
					UNIT: mm	

Central Components Manufacturing
 440 Lincoln Blvd., Middlesex, New Jersey 08846
 Phone 732 469-5720 888 288-5152 Fax 732 469-1919

Part No.: **CTJ-10-08-M6014LGY-BK-FS6**

Description: RJ45 Connector with 10/100 Base-T Magnetics