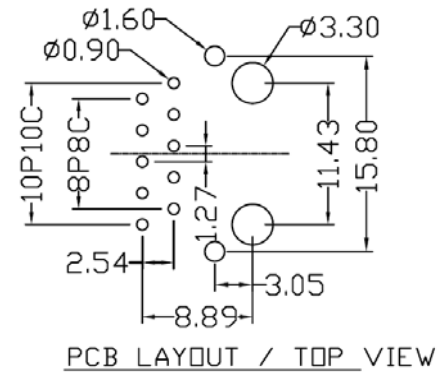
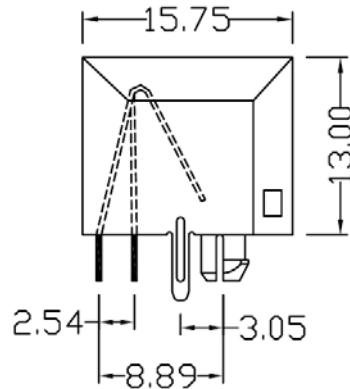
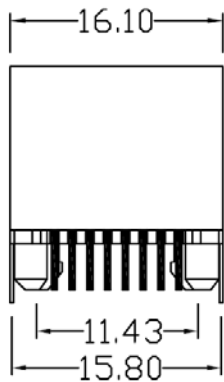


SPECIFICATIONS

Voltage Rating: 125 V AC max
 Current Rating: 1.5 A max
 Contact Resistance: 30 milliohms max.
 Insulation Resistance: 500 megaohms min.
 Housing: PBT UL94V-0, Black
 Conductor: Phos Bronze
 Gold over Nickel on contact area
 Tin over Nickel on solder area
 Shield Material: Copper Plated Nickel
 Durability: 500 cycles min.
 Withstanding: 1000V AC



Series	Positions	Contacts	Type	Color	Plating	Options
CTJ	X	XX	D264	BK	PX	XX
Modular Jack	6,8,10	02,04,06,08,10	Top Entry Short Version	BK=Black	P1=15u" P2=30u" P3=50u"	Blank=none WF=No Flange FS=Full Shield KY=Keyed

RoHS compliant

Rev.	Description	Date	Approved	Drawing	Name	Date
				Approved	Howard	08/30/10
				Checked	Lizzy	08/30/10
				Drawn	Tina	08/30/10
				0.0 ± 0.35	0.00 ± 0.20	Angles ± 3'
				UNIT: mm		

Central Components Manufacturing
 440 Lincoln Blvd., Middlesex, New Jersey 08846
 Phone 732 469-5720 888 288-5152 Fax 732 469-1919

Part No.: **CTJ-10-08-D264-BK-PX-WF-FS**

Description: Top Entry Short Version w/ shield