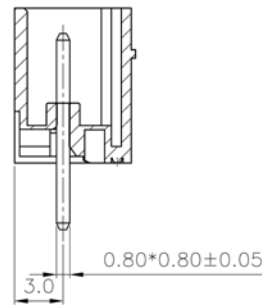
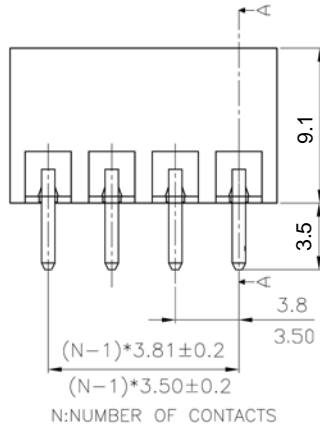
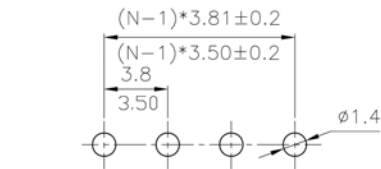


**SPECIFICATIONS**

Voltage Rating: 300V  
 Current Rating: 8A  
 Contact Resistance: 20mΩ  
 Insulation Resistance: 5000MΩ / 1000V  
 Withstanding: AC 2000V / 1Min  
 Pin Header: Brass, Tin Plated  
 Housing: PA66, UL94V-0  
 Max Soldering: +250°C for 5 Sec  
 Temp Range: -40°C to +105°C



SECTION A-A



RECOMMEND PCB LAYOUT(TOLERANCE=±0.05)

Series	Type	Pitch	Positions	Color
CMTB	F040	XXX	XX	XX
Pluggable Terminal block	Vertical header	350=3.50mm 381=3.81mm See also 500=5.00mm 508=5.08mm (.200") 750=7.50mm 762=7.62mm	02-24	GN=Green BK=Black

RoHS compliant

Rev.	Description	Date	Approved	Drawing	Name	Date
				Approved	Howard	07/08/07
				Checked	Lizzy	07/08/07
				Drawn	Tina	07/08/07
				0.0 ± 0.35	0.00 ± 0.20	Angles ± 3'
				UNIT: mm		

**Central Components Manufacturing**  
 440 Lincoln Blvd., Middlesex, New Jersey 08846  
 Phone 732 469-5720 888 288-5152 Fax 732 469-1919

Part No.: **CMTB-F040-381-XX-GN**

Description: Pluggable terminal block, vertical PCB mount