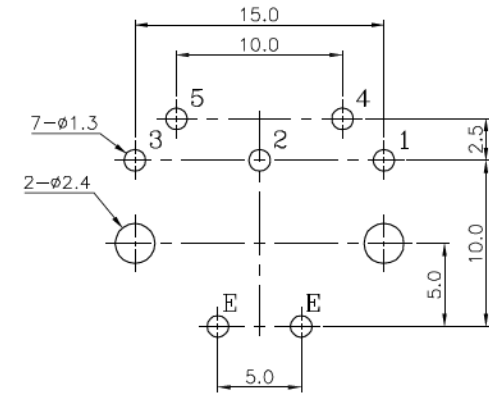


SPECIFICATIONS

Voltage rating: 100VAC, 24VDC
 Current rating: 2 amps AC, 1 amp DC
 Contact resistance: 20 milliohms max.
 Insulation resistance: 100 megohms @ 500VDC
 Withstanding: 500VAC 1 min.
 Insertion force: 5.0kg max.
 Withdrawal force: 1-3.5kg.
 Durability: 5,000 cycles min. (after test, contact resistance shall not exceed 100 milliohms)



PCB LAYOUT TOP VIEW

Item	Description	Material	Finish
1	Body	PBT 4815	Black
2	Ground	C2680 t=0.2	Cu/Sn
3	Plate	PE	
4	Contacts	C2680 t=0.2	Cu/Sn

Series	Positions	Housing	Ground Tab Spacing	Options
CDJB	XX	X	X	X
Circular DIN jack	05=5 positions (3-9 available)	A=Non-shielded B=4 side metal shield	1=10mm 2=5mm	[blank]=None L=Lock GS=Ground spring

RoHS compliant

Rev.	Description	Date	Approved	Drawing	Name	Date
A	Update drawing	05/10/06	Tom	Approved	Howard	08/10/99
				Checked	Lizzy	08/10/99
				Drawn	Tina	08/10/99
				0.0 ± 0.35	0.00 ± 0.20	Angles ± 3'
				UNIT: mm		

Central Components Manufacturing
 440 Lincoln Blvd., Middlesex, New Jersey 08846
 Phone 732 469-5720 888 288-5152 Fax 732 469-1919

Part No.: **CDJB-05-A-2**
 Description: Circular DIN jack, right angle, board mount

