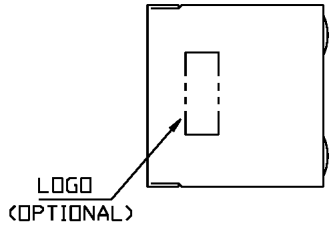
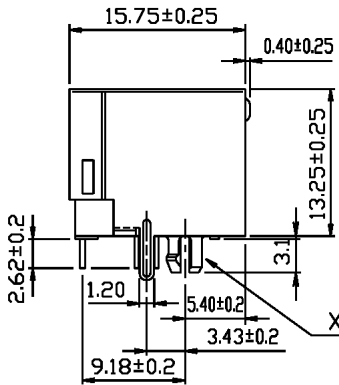


1 2 3 4 5 6 7 8 9

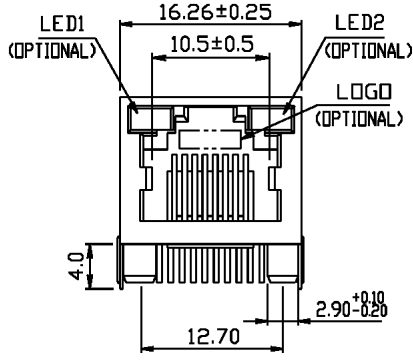
A



B

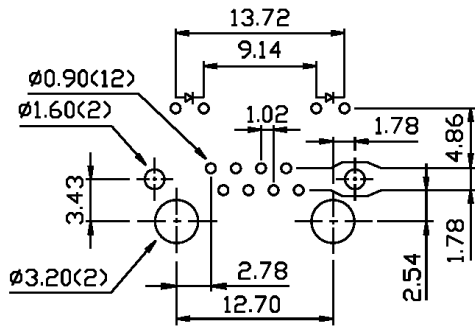
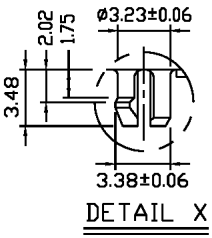
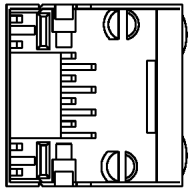


C



D

E



**SPECIFICATIONS**

Current rating: 1.5 amps  
 Voltage rating: 150VAC  
 LED: Forward DC current: 2 milliamps  
 Forward voltage: 1.8 volts typical  
 Reverse voltage: 5 volts min.  
 Power dissipation: green=24 milliwatts,  
 yellow=36 milliwatts  
 Housing: DSM Stanyl TE250F6 (Nylon-46)  
 heat deflection temp. 290°C,  
 black, UL94V-0  
 Contacts: 0.35mm thick phosphor bronze,  
 plated with hard gold and tin in  
 solder area  
 Shield: 0.25mm thick copper alloy, tin plated

**NOTE:**

Cavity conforms to FCC rules and regulations Part 68, subpart F

PC Board Layout

RoHS compliant

Rev.	Description	Date	Approved	Drawing	Name	Date	<b>Central Components Manufacturing</b> 440 Lincoln Blvd., Middlesex, New Jersey 08846 Phone 732 469-5720 888 288-5152 Fax 732 469-1919
				Approved	Howard	08/10/99	
				Checked	Lizzy	08/10/99	
				Drawn	Tina	08/10/99	
				0.0 ± 0.35	0.00 ± 0.20	Angles ± 3'	Part No.: <b>CTJ-8-08-X-BK-PX-FS</b>
				UNIT: mm		Description: Modular jack, LED, 8 positions, shielded, flat pin, side entry type	

G

1 2 3 4 5 6 7 8 9