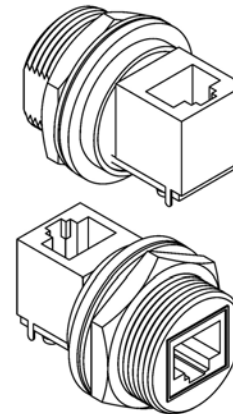
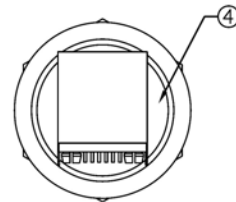
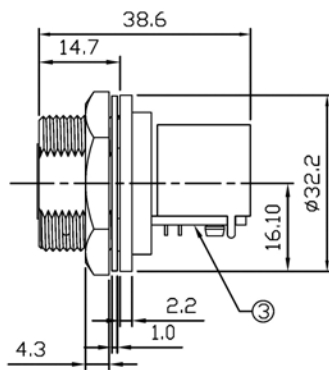
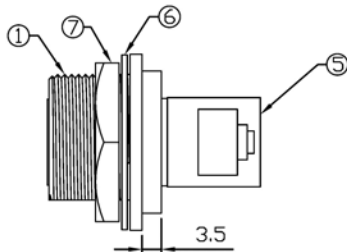
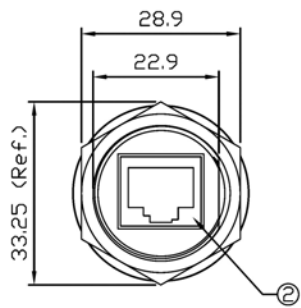


RECOMMEND PANEL HOLE



Item	Name	Material
1	Connector	RJ45 Jack connector Body, Nylon+GF, Black
2	RJ45 Jack	RJ45 Jack with Shield. Right Angle Type
3	PCB	FR4, Double Side 1.6mm Thickness
4	Glue	Sealed Glue
5	RJ45 Jack	RJ45 Jack Connector with Shield, Straight Type
6	Gasket	EPDM
7	Hex Nut	Nylon+GF

RoHS compliant

Rev.	Description	Date	Approved	Drawing	Name	Date
				Approved	Howard	03/07/14
				Checked	Lizzy	03/07/14
				Drawn	Tina	03/07/14
				0.0 ± 0.35	0.00 ± 0.20	Angles ± 3°
						UNIT: mm

Central Components Manufacturing
 440 Lincoln Blvd., Middlesex, New Jersey 08846
 Phone 732 469-5720 888 288-5152 Fax 732 469-1919

Part No.: **CTJ-8-08-P3CRJA-BK**

Description: Right Angle Waterproof Female to Female RJ45 CAT5E Adapter